

# Packaging Receiving Advice

Recommendation VDA 4947 Part 1

Version 3.0, March 2022



## Short Description

This recommendation describes the use of UN/Edifact message RECADV for receiving advice data in the packaging supply chain of the automotive industry. The recommendation is identical to Odette OM42.;

## Disclaimer

The VDA Recommendations are recommendations that may be freely adopted by anyone. Users are responsible for correct implementation of the recommendations as required on a case-by-case basis.

The recommendations take into account the prevailing technology at the time of publication. Use of the VDA Recommendations does not absolve anyone from responsibility for his/her own actions, and all users act at their own risk. Liability of VDA and those involved in drafting of VDA Recommendations is excluded.

If you notice any errors, omissions or ambiguities in these recommendations, please contact VDA without delay so that these errors can be rectified.

Publisher	Verband der Automobilindustrie e.V. (VDA) Behrenstrasse 35, 10117 Berlin <a href="http://www.vda.de">www.vda.de</a>
	This recommendation was developed by AK SID together with an Odette project group.
Copyright	Verband der Automobilindustrie e.V. (VDA)  Reprint, also in extracts, is only permitted, if the source is stated
Version	Version 3.0, March 2022

## Table of contents

Table of contents.....	3
List of changes .....	4
Structure of an UN/EDIFACT interchange .....	7
Branching diagram .....	8
Message structure.....	12
Segment details .....	14
Applicable codes.....	58

## List of changes

No.	Change Change Request	Date	Version	Segment(-group) and data element
01	2021-018 Anpassung an S3 konformen Profil der EDIFACT S4 (ISO 9735 Part 11). / Adaptation to S3 compliant profile of EDIFACT S4 (ISO 9735 Part 11).	2022-01-20	3.0	37 UNZ Interchange trailer
02	2021-018 Anpassung an S3 konformen Profil der EDIFACT S4 (ISO 9735 Part 11). / Adaptation to S3 compliant profile of EDIFACT S4 (ISO 9735 Part 11).	2022-01-20	3.0	36 UNT Message trailer
03	2021-018 GAVW21 --> GAVW30	2022-01-20	3.0	03 UNH S009 0057 Message header
04	2021-018 Anpassung an S3 konformen Profil der EDIFACT S4 (ISO 9735 Part 11). / Adaptation to S3 compliant profile of EDIFACT S4 (ISO 9735 Part 11).	2022-01-20	3.0	03 UNH Message header
05	2021-018 Anpassung an S3 konformen Profil der EDIFACT S4 (ISO 9735 Part 11). / Adaptation to S3 compliant profile of EDIFACT S4 (ISO 9735 Part 11).	2022-01-20	3.0	02 UNB Interchange header
06	2021-018 Anpassung an S3 konformen Profil der EDIFACT S4 (ISO 9735 Part 11). / Adaptation to S3 compliant profile of EDIFACT S4 (ISO 9735 Part 11).	2022-01-20	3.0	01 UNA Service string advice
07	2021-018 Anpassung an S3 konformen Profil der EDIFACT S4 (ISO 9735 Part 11). / Adaptation to S3 compliant profile of EDIFACT S4 (ISO 9735 Part 11).	2022-01-20	3.0	
08	2021-008 Neue / new SG: Subset ID	2021-07-07	3.0	11 SG1 RFF SG1#3 Subset ID Subset ID
09	2019-041 Gelöscht: CNT+2 - Anzahl der Positionen in der Nachricht	2019-12-31	2.1	36 UNT Message trailer
10	2019-041 Alle C212 aktiviert.	2019-12-31	2.1	25 SG25 PIA SG16#1\SG25#1 Article identification and despatch quantity Additional package type code
11	2019-041 8393 aktiviert	2019-12-31	2.1	21 SG20 PAC C532 8393 SG16#1\SG20#1 Group of packaging items Package

## List of changes

No.	Change Change Request	Date	Version	Segment(-group) and data element
12	2019-041 Status N --> O	2019-12-31	2.1	21 SG20 PAC C532 SG16#1\SG20#1 Group of packaging items Package
13	2019-041 New code: O92	2019-12-31	2.1	21 SG20 PAC C402 7143 SG16#1\SG20#1 Group of packaging items Package
14	2019-041 Status D --> R New codes: X1, X2, X3	2019-12-31	2.1	21 SG20 PAC C402 7143 SG16#1\SG20#1 Group of packaging items Package
15	2019-041 Remark changed.	2019-12-31	2.1	21 SG20 PAC C202 7065 SG16#1\SG20#1 Group of packaging items Package
16	2019-041 Name und Remark geändert.	2019-12-31	2.1	21 SG20 PAC C202 SG16#1\SG20#1 Group of packaging items Package
17	2019-041 Status D --> R	2019-12-31	2.1	21 SG20 PAC C202 SG16#1\SG20#1 Group of packaging items Package
18	2019-041 Remark changed.	2019-12-31	2.1	17 SG4 LOC C519 3223 SG4#3 Ship to Place of discharge / unloading point
19	2019-041 Remark changed.	2019-12-31	2.1	14 SG4 NAD SG4#2 Message Recipient Message Recipient - name and address
20	2019-041 Remark deleted: Postleitzahl - ein Identifier für ein oder mehrere Eigenschaften der Adressdaten entsprechend des im Land verwendeten Postsystems. Identifier of one or more address data properties according to the postal service of the respective country.	2019-12-31	2.1	12 SG4 NAD 3251 SG4#1 Message Sender Message Sender - name and address
21	2019-041 Remark changed.	2019-12-31	2.1	12 SG4 NAD SG4#1 Message Sender Message Sender - name and address
22	2019-041 Format an..70 --> an..35	2019-12-31	2.1	04 BGM C106 1004 Beginning of message
23	Beschluss des AK SID 2019-12 Code changed: GBOK10 --> GAVW21	2019-12-31	2.1	03 UNH S009 0057 Message header

## List of changes

No.	Change Change Request	Date	Version	Segment(-group) and data element
24	Release Note: Komplett überarbeitete Ausgabe / completely revised release	2018-04-17	2.0	

## Structure of an UN/EDIFACT interchange

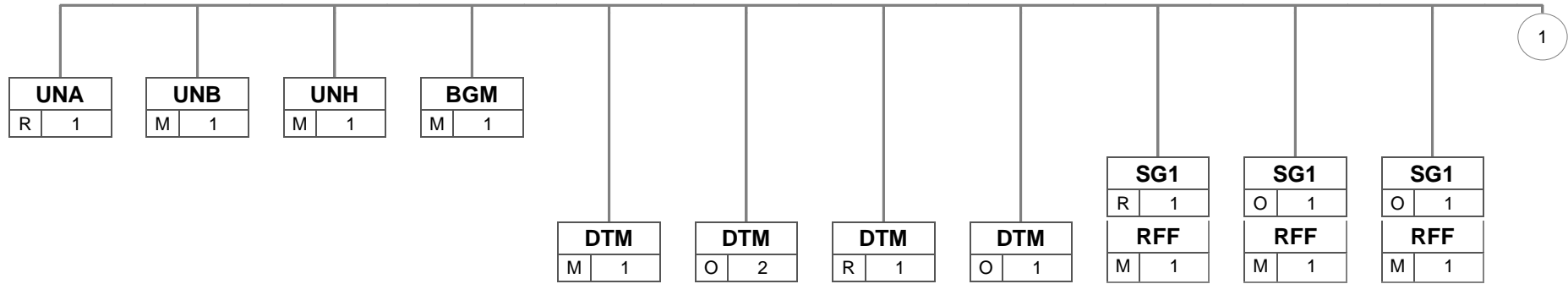
An EDIFACT interchange file contains an interchange frame (UNB-UNZ) with one or more messages (UNH-UNT). The interchange frame can be preceded by a service string advice to define the used separator characters (recommended).

Usually one interchange file contains only messages of the same type, RECADV e.g.

For more information, please refer to recommendation VDA 4900.

Status	Segment	Description
Optional	UNA	Service String Advice
Mandatory	UNB	Interchange header
Mandatory	UNH	1. Message header
	...	Message segments
Mandatory	UNT	1. Message trailer
	UNH	2. Message header
	...	Message segments
	UNT	2. Message trailer
	etc.	
	UNH	n. Message header
	...	Message segments
	UNT	n. Message trailer
Mandatory	UNZ	Interchange trailer

# Branchingdiagramm

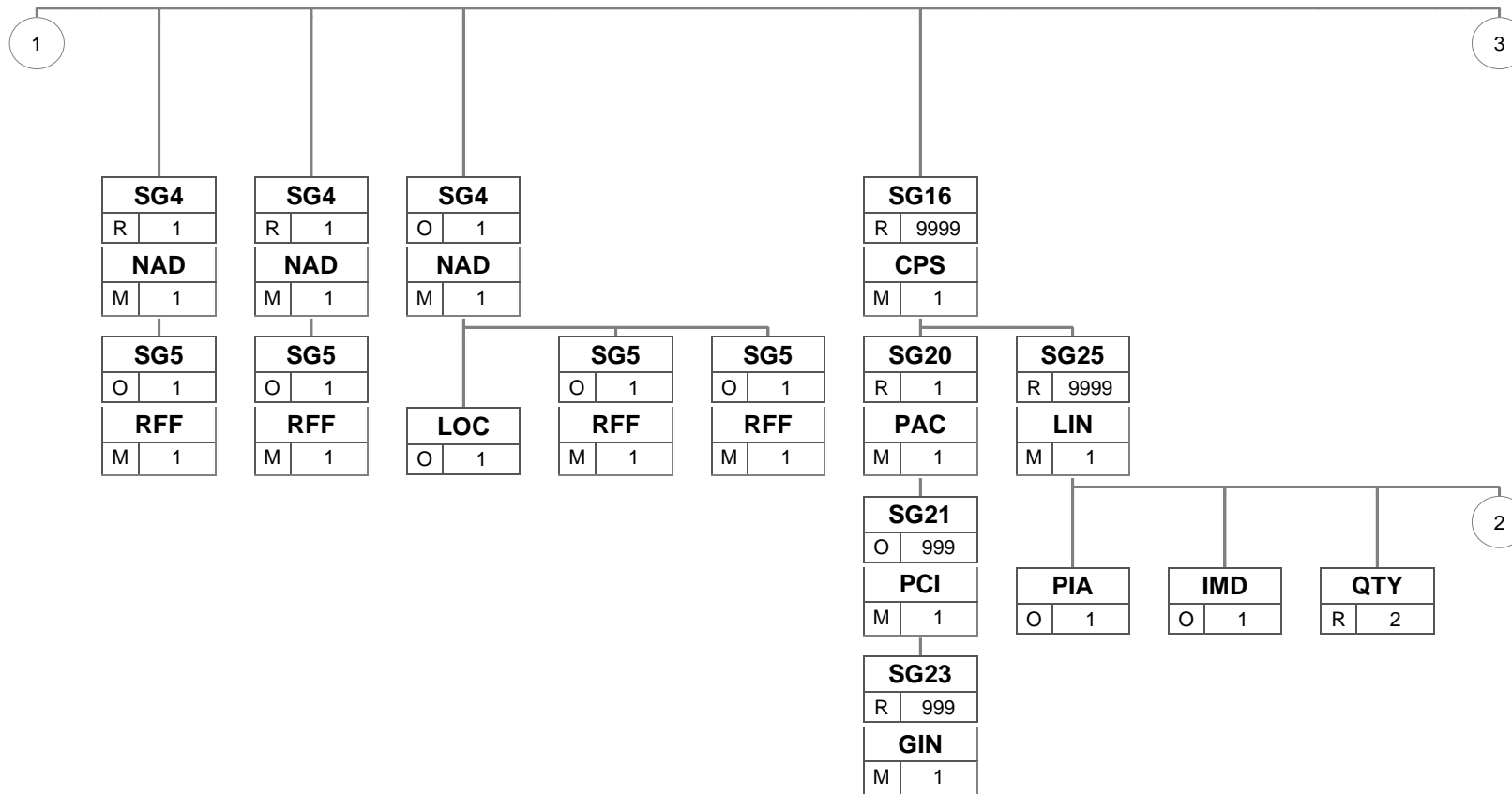


Die schwarzen Segmente/Gruppen werden genutzt, die grauen Segmente/Gruppen sind im Nachrichtentyp enthalten, werden aber nicht genutzt.

Bez	Bez = Segment-/Gruppen-Bezeichner, MaxWdh = Maximale Wiederholung der Segmente/Gruppen
St MaxWdh	St = Status (M=Muss/Mandatory, C=Conditional, R=Erforderlich/Required, O=Optional, D=Abhängig von/Dependent, A=Empfohlen/Advised)



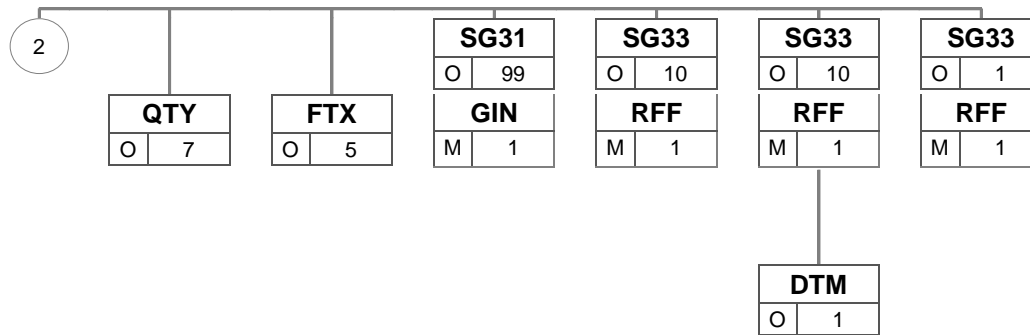
# Branchingdiagramm



Die schwarzen Segmente/Gruppen werden genutzt, die grauen Segmente/Gruppen sind im Nachrichtentyp enthalten, werden aber nicht genutzt.

Bez	Bez = Segment-/Gruppen-Bezeichner, MaxWdh = Maximale Wiederholung der Segmente/Gruppen
St MaxWdh	St = Status (M=Muss/Mandatory, C=Conditional, R=Erforderlich/Required, O=Optional, D=Abhängig von/Dependent, A=Empfohlen/Advised)

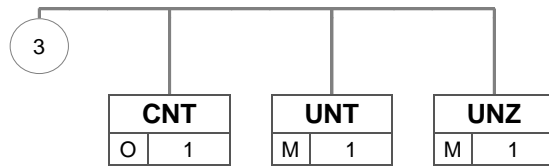
# Branchingdiagramm



Die schwarzen Segmente/Gruppen werden genutzt, die grauen Segmente/Gruppen sind im Nachrichtentyp enthalten, werden aber nicht genutzt.

Bez	Bez = Segment-/Gruppen-Bezeichner, MaxWdh = Maximale Wiederholung der Segmente/Gruppen
St MaxWdh	St = Status (M=Muss/Mandatory, C=Conditional, R=Erforderlich/Required, O=Optional, D=Abhängig von/Dependent, A=Empfohlen/Advised)

## Branchingdiagramm



Die schwarzen Segmente/Gruppen werden genutzt, die grauen Segmente/Gruppen sind im Nachrichtentyp enthalten, werden aber nicht genutzt.

Bez	Bez = Segment-/Gruppen-Bezeichner, MaxWdh = Maximale Wiederholung der Segmente/Gruppen
St MaxWdh	St = Status (M=Muss/Mandatory, C=Conditional, R=Erforderlich/Required, O=Optional, D=Abhängig von/Dependent, A=Empfohlen/Advised)

## Structure / content

No.	Tag	St	MaxRep	Content
1	<b>UNA</b>	R	1	Service string advice
2	<b>UNB</b>	M	1	Interchange header
3	<b>UNH</b>	M	1	Message header
4	<b>BGM</b>	M	1	Beginning of message
5	<b>DTM</b>	M	1	Document issue date
6	<b>DTM</b>	O	2	Confirmed delivery or pick-up date/time
7	<b>DTM</b>	R	1	Arrival date / time (actual) at ship-to's unloading point
8	<b>DTM</b>	O	1	Goods receipt date / time
	<b>SG1</b>	R	1	Shipment ID Reference
9	<b>RFF</b>	M	1	Shipment ID Reference
	<b>SG1</b>	O	1	Transport chain reference
10	<b>RFF</b>	M	1	Transport chain reference
	<b>SG1</b>	O	1	Subset ID
11	<b>RFF</b>	M	1	Subset ID
	<b>SG4</b>	R	1	Message Sender
12	<b>NAD</b>	M	1	Message Sender - name and address
	<b>SG5</b>	O	1	Account number
13	<b>RFF</b>	M	1	Account number
	<b>SG4</b>	R	1	Message Recipient
14	<b>NAD</b>	M	1	Message Recipient - name and address
	<b>SG5</b>	O	1	Account number
15	<b>RFF</b>	M	1	Account number
	<b>SG4</b>	O	1	Ship to
16	<b>NAD</b>	M	1	Ship to's name and address
17	<b>LOC</b>	O	1	Place of discharge / unloading point
	<b>SG5</b>	O	1	Additional Party ID (DUNS)
18	<b>RFF</b>	M	1	Reference
	<b>SG5</b>	O	1	Account number
19	<b>RFF</b>	M	1	Account number
	<b>SG16</b>	R	9999	Summarised figures of all packaging items in the shipment
20	<b>CPS</b>	M	1	Consignment packing sequence
	<b>SG20</b>	R	1	Group of packaging items
21	<b>PAC</b>	M	1	Package
	<b>SG21</b>	O	999	List of individual package items
22	<b>PCI</b>	M	1	Package identification
	<b>SG23</b>	R	999	Label number(s) of the transport handling unit
23	<b>GIN</b>	M	1	Label IDs
	<b>SG25</b>	R	9999	Article identification and despatch quantity
24	<b>LIN</b>	M	1	Packaging code of supplier of empties
25	<b>PIA</b>	O	1	Additional package type code
26	<b>IMD</b>	O	1	Indicator - empty container, folded and package type description
27	<b>QTY</b>	R	2	Sum of the delivered quantity in this shipment (= message)
28	<b>QTY</b>	O	7	Quantities in this shipment (= message)
29	<b>FTX</b>	O	5	Free text
	<b>SG31</b>	O	99	Serial Number(s)
30	<b>GIN</b>	M	1	Serial Number(s)
	<b>SG33</b>	O	10	Shipment / Delivery note reference
31	<b>RFF</b>	M	1	Shipment / Delivery note reference

Tag = Tag; No. = consecutive segment number in the guide; MaxRep = maximum repetition; St = status (M=mandatory, C=conditional, R=required, O=optional, D=dependent, A=advised)

## Structure / content

No.	Tag	St	MaxRep	Content
	<b>SG33</b>	O	10	Order reference
32	<b>RFF</b>	M	1	Order reference
33	<b>DTM</b>	O	1	Reference date
	<b>SG33</b>	O	1	Release authorisation number
34	<b>RFF</b>	M	1	Release authorisation number
35	<b>CNT</b>	O	1	Number of line items in message
36	<b>UNT</b>	M	1	Message trailer
37	<b>UNZ</b>	M	1	Interchange trailer

Tag = Tag; No. = consecutive segment number in the guide; MaxRep = maximum repetition; St = status (M=mandatory, C=conditional, R=required, O=optional, D=dependent, A=advised)

## Segmente

Nr	Bez	St	MaxWdh	Name
1	<b>UNA</b>	R	1	Service string advice

Standard		Implementierung				
Bez	Name	St	Format	St	Format	Anwendung / Bemerkung
UNA1	Component data element separator	M	an1	M	an1	Colon
UNA2	Data element separator	M	an1	M	an1	Plus sign
UNA3	Decimal notation	M	an1	M	an1	Decimal point or comma This differs from version 4 that only allows decimal point.
UNA4	Release indicator	M	an1	M	an1	Question mark
UNA5	Reserved for future use	M	an1	M	an1	Blank
UNA6	Segment terminator	M	an1	M	an1	Apostrophe

The use of UNA is strongly recommended and UNA5 must be blank.

Beispiel:

**UNA**: + . ? ' '

## Segmente

Nr	Bez	St	MaxWdh	Name
2	<b>UNB</b>	M	1	Interchange header

Standard		Implementierung		
Bez	Name	St	Format	Anwendung / Bemerkung
S001	Syntax identifier	M		M
0001	Syntax identifier	M	a4	M a4 UNOW shall only be used, if agreed upon by partners in their interchange agreement. <b>UNOA</b> UN/ECE level A <b>UNOB</b> UN/ECE level B <b>UNOC</b> UN/ECE level C <b>UNOD</b> UN/ECE level D <b>UNOW</b> UN/ECE level W
0002	Syntax version number	M	an1	M an1 To use syntax version 4 according to the ISO 9735-11 profile, code "X" must be used here. <b>X</b> Syntax version 4 ISO 9735-11 profile.
0080	Service code list directory version number	C	an..6	N Nicht genutzt
0133	Character encoding, coded	C	an..3	N Nicht genutzt
0076	Syntax release number	C	an2	N Nicht genutzt
S002	Interchange sender	M		M
0004	Sender identification	M	an..35	M an..35 Unique ID of the sender in the data transmission network or system used.
0007	Partner identification code qualifier	C	an..4	O an..4 Qualifier for the organisation that assigned the identifier, e.g. 59 for Odette.
0008	Address for reverse routing	C	an..14	O an..14 Address for reverse routing Address of an application or internal system at sender's site to which reply messages should be routed.
0042	Interchange sender internal sub-identification	C	an..35	N Nicht genutzt
S003	Interchange recipient	M		M
0010	Recipient identification	M	an..35	M an..35 Unique ID of the recipient in the data transmission network or system used.
0007	Partner identification code qualifier	C	an..4	O an..4
0014	Routing address	C	an..14	O an..14 Address for reverse routing Address of an application or an internal system at the recipient: For some buyers, the delivery schedules or similar can be generated from different ERP systems. After receipt by the buyer, the messages must then be forwarded to this system and processed there.
0046	Interchange recipient internal sub-identification	C	an..35	N Nicht genutzt
S004	Date/time of preparation	M		M
0017	Date of preparation	M	n8	M n8 Attention: Difference to S3, 8 digits (including century)! Format CCYYMMDD
0019	Time of preparation	M	n4	M n4 Format hhmm
0020	Interchange control reference	M	an..14	M an..14 Unique ID of a data transmission.
S005	Recipient's reference, password	C		N Nicht genutzt
0022	Recipient's reference/password	M	an..14	N Nicht genutzt
0025	Recipient's reference/password qualifier	C	an2	N Nicht genutzt
0026	Application reference	C	an..14	N Nicht genutzt
0029	Processing priority code	C	a1	N Nicht genutzt
0031	Acknowledgement request	C	n1	N Nicht genutzt
0032	Communications agreement ID	C	an..35	N Nicht genutzt

Bez =Bezeichner; Nr = Laufende Segmentnummer im Guide; MaxWdh = Maximale Wiederholung; St = Status (M=Muss/Mandatory, C=Conditional, R=Erforderlich/Required, O=Optional, D=Abhängig von/Dependent, A=Empfohlen/Advised)

## Segmente

Standard		Implementierung		
Bez	Name	St Format	St Format	Anwendung / Bemerkung
0035	Test indicator	C n1	O n1	Only used if the data exchange is for test purposes. This data element is not transmitted for valid transmissions. 1 Interchange is a test

The structure of the EDIFACT interchange and the specification of the service segments for electronic data exchange used in the automotive industry are described in detail in the VDA Recommendation 4900.

Due to the change in ISO standard 9735, VDA-EDIFACT recommendations will be based on the EDIFACT Syntax 3 compliant profile of EDIFACT Syntax 4 (ISO 9735 Part 11) from 2021-12. The service segments (UNA, UNB, UNH, UNS, UNT, UNZ) were adapted accordingly. The user data segments were not changed.

Beispiel:

**UNB+UNOC:X+VA13:59:EDI-Outbound+XB05:59:EDI-Inbound+20220721:0719+20220000  
25+++++1'**

Bez =Bezeichner; Nr = Laufende Segmentnummer im Guide; MaxWdh = Maximale Wiederholung; St = Status (M=Muss/Mandatory, C=Conditional, R=Erforderlich/Required, O=Optional, D=Abhängig von/Dependent, A=Empfohlen/Advised)



## Segmente

Nr	Bez	St	MaxWdh	Name
3	<b>UNH</b>	M	1	Message header

Standard		Implementierung		
Bez	Name	St	Format	Anwendung / Bemerkung
0062	Message reference number	M	an..14	M an..14 Message reference number should be unique for an agreed period of time. (Eg. Calendar year, model year) Unique message reference within the interchange.
S009	Message identifier	M		M
0065	Message type	M	an..6	M an..6 <b>RECADV</b> Receiving advice message
0052	Message version number	M	an..3	M an..3 <b>D</b> Draft version/UN/EDIFACT Directory
0054	Message release number	M	an..3	M an..3 <b>03A</b> Release 2003 - A
0051	Controlling agency	M	an..2	M an..2 <b>UN</b> UN/CEFACT
0057	Association assigned code	C	an..6	R an..6 Identification of the subset release, assigned by the responsible organisation (Odette resp. joint automotive industry forum). <b>GAVW30</b> VDA Packaging Receiving Advice - RECADV V3.0 JAI016
0110	Code list directory version number	C	an..6	N Nicht genutzt
0113	Message type sub-function identification	C	an..6	N Nicht genutzt
0068	Common access reference	C	an..35	N Nicht genutzt
S010	Status of the transfer	C		N Nicht genutzt
0070	Sequence of transfers	M	n..2	N Nicht genutzt
0073	First and last transfer	C	a1	N Nicht genutzt
S016	Message subset identification	C		N Nicht genutzt
0115	Message subset identification	M	an..14	N Nicht genutzt
0116	Message subset version number	C	an..3	N Nicht genutzt
0118	Message subset release number	C	an..3	N Nicht genutzt
0051	Controlling agency	C	an..2	N Nicht genutzt
S017	Message implementation guideline identification	C		N Nicht genutzt
0121	Message implementation guideline identification	M	an..14	N Nicht genutzt
0122	Message implementation guideline version number	C	an..3	N Nicht genutzt
0124	Message implementation guideline release number	C	an..3	N Nicht genutzt
0051	Controlling agency	C	an..2	N Nicht genutzt
S018	Scenario identification	C		N Nicht genutzt
0127	Scenario identification	M	an..14	N Nicht genutzt
0128	Scenario version number	C	an..3	N Nicht genutzt
0130	Scenario release number	C	an..3	N Nicht genutzt
0051	Controlling agency	C	an..2	N Nicht genutzt

Beispiel:

**UNH+AAA0001+RECADV:D:03A:UN:GAVW30'**

Bez =Bezeichner; Nr = Laufende Segmentnummer im Guide; MaxWdh = Maximale Wiederholung; St = Status (M=Muss/Mandatory, C=Conditional, R=Erforderlich/Required, O=Optional, D=Abhängig von/Dependent, A=Empfohlen/Advised)

## Segmente

Nr	Bez	St	MaxWdh	Name
4	<b>BGM</b>	M	1	Beginning of message

Standard		Implementierung		
Bez	Name	St	Format	Anwendung / Bemerkung
C002	Document/message name	C		R
1001	Document name code	C	an..3	R an..3 632 - RTI receiving advice <b>632</b> Goods receipt
1131	Code list identification code	C	an..17	N Nicht genutzt
3055	Code list responsible agency code	C	an..3	R an..3 Code specifying the agency responsible for a code list. <b>6</b> UN/ECE (United Nations - Economic Commission for Europe)
1000	Document name	C	an..35	O an..35 Additional profile information Can be used to specify a company-specific profile of this application description.
C106	Document/message identification	C		R
1004	Document identifier	C	an..35	R an..35 Document number Unique identifier of the document. No duplicates during calendar year.
1056	Version identifier	C	an..9	N Nicht genutzt
1060	Revision identifier	C	an..6	N Nicht genutzt
1225	Message function code	C	an..3	R an..3 Code indicating the function of the document. <b>9</b> Original
4343	Response type code	C	an..3	N Nicht genutzt

The message contains the results of the comparison check between advised and actual incoming goods. The message EDIFACT RECADV is in principle only optional. In the event of an error a bilateral complaint completion must take place.  
Beispiel:

**BGM+632 : : 6 : X+12345+9 '**

## Segmente

Nr	Bez	St	MaxWdh	Name
5	<b>DTM</b>	M	1	Document issue date

Standard		Implementierung		
Bez	Name	St	Format	Anwendung / Bemerkung
C507	Date/time/period	M		M
2005	Date or time or period function code qualifier	M	an..3	M an..3 <b>137</b> Document issue date time
2380	Date or time or period text	C	an..35	R n..12 Date, on which a document or business signal was issued.
2379	Date or time or period format code	C	an..3	R an..3 <b>102</b> CCYYMMDD <b>203</b> CCYYMMDDHHMM

Beispiel:

**DTM+137:20031015:102'**

## Segmente

Nr	Bez	St	MaxWdh	Name
6	<b>DTM</b>	O	2	Confirmed delivery or pick-up date/time

Standard		Implementierung				
Bez	Name	St	Format	St	Format	Anwendung / Bemerkung
C507	Date/time/period	M		M		
2005	Date or time or period function code qualifier	M	an..3	M	an..3	79 - Confirmed pick-up date/time at the consignor 69 - Confirmed delivery date/time at the recipient <b>69</b> Delivery date time, promised before <b>79</b> Shipment date/time, promised for
2380	Date or time or period text	C	an..35	R	an..24	Confirmed delivery or pick-up date/time
2379	Date or time or period format code	C	an..3	R	an..3	The use of time / time window depends on the concrete contract between the customer, supplier and transport service provider <b>102</b> CCYMMDD <b>203</b> CCYMMDDHHMM <b>205</b> CCYMMDDHHMMZHHMM <b>719</b> CCYMMDDHHMM-CCYMMDDHHMM

Beispiel:

**DTM+79:20160808:102'**

## Segmente

Nr	Bez	St	MaxWdh	Name
7	<b>DTM</b>	R	1	Arrival date / time (actual) at ship-to's unloading point

Standard		Implementierung		
Bez	Name	St	Format	Anwendung / Bemerkung
C507	Date/time/period	M		M
2005	Date or time or period function code qualifier	M	an..3	M an..3 <b>35</b> Delivery date/time, actual
2380	Date or time or period text	C	an..35	R an..17 Arrival date / time (actual) at ship-to's unloading point
2379	Date or time or period format code	C	an..3	R an..3 <b>102</b> CCYYMMDD <b>203</b> CCYYMMDDHHMM <b>205</b> CCYYMMDDHHMMZHHMM

Beispiel:

**DTM+35:20160808:102'**

## Segmente

Nr	Bez	St	MaxWdh	Name
8	<b>DTM</b>	O	1	Goods receipt date / time

Standard		Implementierung		
Bez	Name	St	Format	Anwendung / Bemerkung
C507	Date/time/period	M		M
2005	Date or time or period function code qualifier	M	an..3	M an..3 <b>50</b> Goods receipt date/time
2380	Date or time or period text	C	an..35	R an..17 Goods receipt date/time (reception + control)
2379	Date or time or period format code	C	an..3	R an..3 <b>102</b> CCYYMMDD <b>203</b> CCYYMMDDHHMM <b>205</b> CCYYMMDDHHMMZHMM

Beispiel:

**DTM+50:20160808:102'**

## Segmente

Nr	Bez	St	MaxWdh	Name
	SG1	R	1	Shipment ID Reference
9	RFF	M	1	Shipment ID Reference

Standard		Implementierung				
Bez	Name	St	Format	St	Format	Anwendung / Bemerkung
C506	Reference	M		M		
1153	Reference code qualifier	M	an..3	M	an..3	
1154	Reference identifier	C	an..70	R	an..70	Generic reference to a shipment: could be the shipment ID (RFF+CRN) or the document number from the despatch advice (BGM 1004).
1156	Document line identifier	C	an..6	N		Nicht genutzt
4000	Reference version identifier	C	an..35	N		Nicht genutzt
1060	Revision identifier	C	an..6	N		Nicht genutzt

Beispiel:

**RFF+CRN : 243546 '**

## Segmente

Nr	Bez	St	MaxWdh	Name
	SG1	O	1	Transport chain reference
10	RFF	M	1	Transport chain reference

Standard		Implementierung			
Bez	Name	St	Format	St	Format Anwendung / Bemerkung
C506	Reference	M		M	
1153	Reference code qualifier	M	an..3	M	an..3 <b>AKI</b> Ordering customer's second reference number
1154	Reference identifier	C	an..70	R	an..35 Transport chain reference
1156	Document line identifier	C	an..6	N	Nicht genutzt
4000	Reference version identifier	C	an..35	N	Nicht genutzt
1060	Revision identifier	C	an..6	N	Nicht genutzt

This reference links the individual transport legs of a shipment in a segmented transport chain where each leg has a separate transport order. It is assigned by the creator of the first transport order and may be the same as the order number of the first transport order. In segmented transport chains, this reference should be transmitted in all subsequent transport messages and in the associated billing.

Beispiel:

**RFF+AKI:Transport ID'**



## Segmente

Nr	Bez	St	MaxWdh	Name
	SG1	O	1	Subset ID
11	RFF	M	1	Subset ID

Standard		Implementierung		
Bez	Name	St	Format	Anwendung / Bemerkung
C506	Reference	M		M
1153	Reference code qualifier	M	an..3	M an..3 <b>AOZ</b> Implementation version number
1154	Reference identifier	C	an..70	R an..70 Reference to the (usually customer's) subset ID/guideline version, this message is conformant to.
1156	Document line identifier	C	an..6	N Nicht genutzt
4000	Reference version identifier	C	an..35	N Nicht genutzt
1060	Revision identifier	C	an..6	N Nicht genutzt

Beispiel:

**RFF+AOZ:Version3.2'**

## Segmente

Nr	Bez	St	MaxWdh	Name
	SG4	R	1	Message Sender
12	NAD	M	1	Message Sender - name and address

Standard		Implementierung			
Bez	Name	St	Format	St	Anwendung / Bemerkung
3035	Party function code qualifier	M	an..3	M	an..3 <b>MS</b> Document/message issuer/sender
C082	Party identification details	C		R	
3039	Party identifier	M	an..35	M	an..35
1131	Code list identification code	C	an..17	N	Nicht genutzt
3055	Code list responsible agency code	C	an..3	R	an..3 <b>5</b> ISO (International Organization for Standardization) <b>10</b> ODETTE <b>16</b> US, D&B (Dun & Bradstreet Corporation) <b>O91</b> Assigned by the provider of the empty packaging <b>O92</b> Assigned by the receiver of the empty packaging
C058	Name and address	C		N	Nicht genutzt
3124	Name and address description	M	an..35	N	Nicht genutzt
3124	Name and address description	C	an..35	N	Nicht genutzt
3124	Name and address description	C	an..35	N	Nicht genutzt
3124	Name and address description	C	an..35	N	Nicht genutzt
3124	Name and address description	C	an..35	N	Nicht genutzt
C080	Party name	C		O	
3036	Party name	M	an..35	M	an..35 Single text line for specification of a name
3036	Party name	C	an..35	O	an..35 see 3036 # 1
3036	Party name	C	an..35	N	Nicht genutzt
3036	Party name	C	an..35	N	Nicht genutzt
3036	Party name	C	an..35	N	Nicht genutzt
3045	Party name format code	C	an..3	N	Nicht genutzt
C059	Street	C		O	
3042	Street and number or post office box identifier	M	an..35	M	an..35 Part of address identifying the location of a building, normally given together with street
3042	Street and number or post office box identifier	C	an..35	O	an..35 see 3042 # 1
3042	Street and number or post office box identifier	C	an..35	N	Nicht genutzt
3042	Street and number or post office box identifier	C	an..35	N	Nicht genutzt
3164	City name	C	an..35	O	an..35 The name of the city, town, or village of this address.
C819	Country sub-entity details	C		O	
3229	Country sub-entity name code	C	an..9	R	an..9 State or region within a country. The use of UN LoCodes is recommended.
1131	Code list identification code	C	an..17	N	Nicht genutzt
3055	Code list responsible agency code	C	an..3	N	Nicht genutzt
3228	Country sub-entity name	C	an..70	N	Nicht genutzt
3251	Postal identification code	C	an..17	O	an..17
	Country name code	C	an..3	O	an..3 Country coded according to ISO 3166-1

Bez =Bezeichner; Nr = Laufende Segmentnummer im Guide; MaxWdh = Maximale Wiederholung; St = Status (M=Muss/Mandatory, C=Conditional, R=Erforderlich/Required, O=Optional, D=Abhängig von/Dependent, A=Empfohlen/Advised)

## Segmente

Standard		Implementierung		
Bez	Name	St	Format	Anwendung / Bemerkung
3207				

This segment is used, when the sending party of the message differ from the business partners involved in the transaction (e.g. ship-from and ship-to, buyer and seller, etc.).

Usually this is the ship-to party as sent in the despatch advice.

Beispiel:

**NAD+MS+Identifier::10++Name1:Name2+Street1:Street2+City++12345+FR'**

## Segmente

Nr	Bez	St	MaxWdh	Name
	<b>SG5</b>	O	1	Account number
13	<b>RFF</b>	M	1	Account number

Standard		Implementierung				
Bez	Name	St	Format	St	Format	Anwendung / Bemerkung
C506	Reference	M		M		
1153	Reference code qualifier	M	an..3	M	an..3	<b>ADE</b> Account number
1154	Reference identifier	C	an..70	R	an..35	Account number
1156	Document line identifier	C	an..6	N		Nicht genutzt
4000	Reference version identifier	C	an..35	N		Nicht genutzt
1060	Revision identifier	C	an..6	N		Nicht genutzt

Beispiel:

**RFF+ADE : 123456789 '**

## Segmente

Nr	Bez	St	MaxWdh	Name
	SG4	R	1	Message Recipient
14	NAD	M	1	Message Recipient - name and address

Standard		Implementierung			
Bez	Name	St	Format	St	Anwendung / Bemerkung
3035	Party function code qualifier	M	an..3	M	an..3 <b>MR</b> Message recipient
C082	Party identification details	C		R	
3039	Party identifier	M	an..35	M	an..35
1131	Code list identification code	C	an..17	N	Nicht genutzt
3055	Code list responsible agency code	C	an..3	R	an..3  <b>5</b> ISO (International Organization for Standardization) <b>10</b> ODETTE <b>16</b> US, D&B (Dun & Bradstreet Corporation) <b>O91</b> Assigned by the provider of the empty packaging <b>O92</b> Assigned by the receiver of the empty packaging
C058	Name and address	C		N	Nicht genutzt
3124	Name and address description	M	an..35	N	Nicht genutzt
3124	Name and address description	C	an..35	N	Nicht genutzt
3124	Name and address description	C	an..35	N	Nicht genutzt
3124	Name and address description	C	an..35	N	Nicht genutzt
3124	Name and address description	C	an..35	N	Nicht genutzt
C080	Party name	C		O	
3036	Party name	M	an..35	M	an..35 Single text line for specification of a name
3036	Party name	C	an..35	O	an..35 see 3036 # 1
3036	Party name	C	an..35	N	Nicht genutzt
3036	Party name	C	an..35	N	Nicht genutzt
3036	Party name	C	an..35	N	Nicht genutzt
3045	Party name format code	C	an..3	N	Nicht genutzt
C059	Street	C		O	
3042	Street and number or post office box identifier	M	an..35	M	an..35 Part of address identifying the location of a building, normally given together with street
3042	Street and number or post office box identifier	C	an..35	O	an..35 see 3042 # 1
3042	Street and number or post office box identifier	C	an..35	N	Nicht genutzt
3042	Street and number or post office box identifier	C	an..35	N	Nicht genutzt
3164	City name	C	an..35	O	an..35 The name of the city, town, or village of this address.
C819	Country sub-entity details	C		O	
3229	Country sub-entity name code	C	an..9	R	an..9 State or region within a country. The use of UN LoCodes is recommended.
1131	Code list identification code	C	an..17	N	Nicht genutzt
3055	Code list responsible agency code	C	an..3	N	Nicht genutzt
3228	Country sub-entity name	C	an..70	N	Nicht genutzt
3251	Postal identification code	C	an..17	C	an..17 Identifier of one or more address data properties according to the postal service of the respective country

Bez =Bezeichner; Nr = Laufende Segmentnummer im Guide; MaxWdh = Maximale Wiederholung; St = Status (M=Muss/Mandatory, C=Conditional, R=Erforderlich/Required, O=Optional, D=Abhängig von/Dependent, A=Empfohlen/Advised)

## Segmente

Standard		Implementierung		
Bez	Name	St	Format	Anwendung / Bemerkung
3207	Country name code	C	an..3	Country coded according to ISO 3166-1

This segment is used, when the receiving party of the message differ from the business partners involved in the transaction (e.g. ship-from and ship-to, buyer and seller, etc.)  
 Beispiel:

**NAD+MR+Identifier::092++Name1:Name2+Street1:Street2+City++12345+DE'**

## Segmente

Nr	Bez	St	MaxWdh	Name
	<b>SG5</b>	O	1	Account number
15	<b>RFF</b>	M	1	Account number

Standard		Implementierung				
Bez	Name	St	Format	St	Format	Anwendung / Bemerkung
C506	Reference	M		M		
1153	Reference code qualifier	M	an..3	M	an..3	<b>ADE</b> Account number
1154	Reference identifier	C	an..70	R	an..35	Account number
1156	Document line identifier	C	an..6	N		Nicht genutzt
4000	Reference version identifier	C	an..35	N		Nicht genutzt
1060	Revision identifier	C	an..6	N		Nicht genutzt

Beispiel:

**RFF+ADE : 123456789 '**

## Segmente

Nr	Bez	St	MaxWdh	Name
	SG4	O	1	Ship to
16	NAD	M	1	Ship to's name and address

Standard		Implementierung			
Bez	Name	St	Format	St	Anwendung / Bemerkung
3035	Party function code qualifier	M	an..3	M an..3	<b>ST</b> Ship to
C082	Party identification details	C		R	
3039	Party identifier	M	an..35	R an..35	Unique identifier of business partner (customer number, supplier number, DUNS number, etc.).
1131	Code list identification code	C	an..17	N	Nicht genutzt
3055	Code list responsible agency code	C	an..3	R an..3	Code specifying the agency responsible for a code list.  <b>5</b> ISO (International Organization for Standardization) <b>10</b> ODETTE <b>16</b> US, D&B (Dun & Bradstreet Corporation) <b>O91</b> Assigned by the provider of the empty packaging <b>O92</b> Assigned by the receiver of the empty packaging
C058	Name and address	C		N	Nicht genutzt
3124	Name and address description	M	an..35	N	Nicht genutzt
3124	Name and address description	C	an..35	N	Nicht genutzt
3124	Name and address description	C	an..35	N	Nicht genutzt
3124	Name and address description	C	an..35	N	Nicht genutzt
3124	Name and address description	C	an..35	N	Nicht genutzt
C080	Party name	C		O	
3036	Party name	M	an..35	M an..35	Single text line for specification of a name
3036	Party name	C	an..35	O an..35	Single text line for specification of a name
3036	Party name	C	an..35	N	Nicht genutzt
3036	Party name	C	an..35	N	Nicht genutzt
3036	Party name	C	an..35	N	Nicht genutzt
3045	Party name format code	C	an..3	N	Nicht genutzt
C059	Street	C		O	
3042	Street and number or post office box identifier	M	an..35	M an..35	Part of address identifying the location of a building, normally given together with street
3042	Street and number or post office box identifier	C	an..35	O an..35	
3042	Street and number or post office box identifier	C	an..35	N	Nicht genutzt
3042	Street and number or post office box identifier	C	an..35	N	Nicht genutzt
3164	City name	C	an..35	O an..35	The name of the city, town, or village of this address.
C819	Country sub-entity details	C		O	
3229	Country sub-entity name code	C	an..9	C an..9	State or region within a country. The use of UN LoCodes is recommended.
1131	Code list identification code	C	an..17	N	Nicht genutzt
3055	Code list responsible agency code	C	an..3	N	Nicht genutzt
3228	Country sub-entity name	C	an..70	N	Nicht genutzt
3251	Postal identification code	C	an..17	O an..17	Identifier of one or more address data properties according

Bez =Bezeichner; Nr = Laufende Segmentnummer im Guide; MaxWdh = Maximale Wiederholung; St = Status (M=Muss/Mandatory, C=Conditional, R=Erforderlich/Required, O=Optional, D=Abhängig von/Dependent, A=Empfohlen/Advised)



## Segmente

Standard		Implementierung		
Bez	Name	St	Format	Anwendung / Bemerkung
3207	Country name code	C	an..3	Provides the country part of an address using a code. Use ISO3166 two alpha code. The codes of this codelist are documented in a separate document

Beispiel:

**NAD+ST+Identifier::092++Name1:Name2+Street1:Street2+City++12345+DE'**

## Segmente

Nr	Bez	St	MaxWdh	Name
	SG4	O	1	Ship to
17	LOC	O	1	Place of discharge / unloading point

Standard		Implementierung			
Bez	Name	St	Format	St	Anwendung / Bemerkung
3227	Location function code qualifier	M	an..3	M	an..3 <b>11</b> Place of discharge
C517	Location identification	C		R	
3225	Location name code	C	an..35	O	an..17 Identifier of location, site, etc.
1131	Code list identification code	C	an..17	N	Nicht genutzt
3055	Code list responsible agency code	C	an..3	D	an..3 Code specifying the agency responsible for a code list. Code specifying the agency responsible for a code list. Has to be provided if 3225 is used. <b>092</b> Assigned by the receiver of the empty packaging
3224	Location name	C	an..256	O	an..256 Name of place/location; if necessary, use complete address. If an address is to be specified here, the individual components are to be transferred in a structured manner, separated by semicolons in the order described: Name; Street, house number; Place; Post Code; Regional code; Country (2 digit ISO code).
C519	Related location one identification	C		O	
3223	First related location name code	C	an..25	R	an..25 Geo coordinates - latitude/longitude Geo coordinates in decimal degrees: latitude, longitude For latitude: positive values identify the northern hemisphere, negative values the southern hemisphere (-90..90). For longitude: positive values identify the east of the zero meridian, negative values the west of the zero meridian (-180..180).
1131	Code list identification code	C	an..17	N	Nicht genutzt
3055	Code list responsible agency code	C	an..3	N	Nicht genutzt
3222	First related location name	C	an..70	N	Nicht genutzt
C553	Related location two identification	C		N	Nicht genutzt
3233	Second related location name code	C	an..25	N	Nicht genutzt
1131	Code list identification code	C	an..17	N	Nicht genutzt
3055	Code list responsible agency code	C	an..3	N	Nicht genutzt
3232	Second related location name	C	an..70	N	Nicht genutzt
5479	Relation code	C	an..3	N	Nicht genutzt

Location where goods are unloaded from transport vehicle.

Beispiel:

**LOC+11+Abladestelle Id.:092:Abladestelle+52.515738, 13.393085'**

Bez =Bezeichner; Nr = Laufende Segmentnummer im Guide; MaxWdh = Maximale Wiederholung; St = Status (M=Muss/Mandatory, C=Conditional, R=Erforderlich/Required, O=Optional, D=Abhängig von/Dependent, A=Empfohlen/Advised)

## Segmente

Nr	Bez	St	MaxWdh	Name
	SG5	O	1	Additional Party ID (DUNS)
18	RFF	M	1	Reference

Standard		Implementierung				
Bez	Name	St	Format	St	Format	Anwendung / Bemerkung
C506	Reference	M		M		
1153	Reference code qualifier	M	an..3	M	an..3	<b>ANK</b> Reference number assigned by third party
1154	Reference identifier	C	an..70	R	n9	DUNS number
1156	Document line identifier	C	an..6	N		Nicht genutzt
4000	Reference version identifier	C	an..35	N		Nicht genutzt
1060	Revision identifier	C	an..6	N		Nicht genutzt

This segment can be used to transmit the DUNS number of the business partner, in addition to the customer number or the supplier number.

Beispiel:

**RFF+ANK:123456789'**

## Segmente

Nr	Bez	St	MaxWdh	Name
	<b>SG5</b>	O	1	Account number
19	<b>RFF</b>	M	1	Account number

Standard		Implementierung				
Bez	Name	St	Format	St	Format	Anwendung / Bemerkung
C506	Reference	M		M		
1153	Reference code qualifier	M	an..3	M	an..3	<b>ADE</b> Account number
1154	Reference identifier	C	an..70	R	an..35	Account number
1156	Document line identifier	C	an..6	N		Nicht genutzt
4000	Reference version identifier	C	an..35	N		Nicht genutzt
1060	Revision identifier	C	an..6	N		Nicht genutzt

Beispiel:

**RFF+ADE : 123456789 '**

## Segmente

Nr	Bez	St	MaxWdh	Name
	SG16	R	9999	Summarised figures of all packaging items in the shipment
20	CPS	M	1	Consignment packing sequence

Standard		Implementierung				
Bez	Name	St	Format	St	Format	Anwendung / Bemerkung
7164	Hierarchical structure level identifier	M	an..35	M	n..6	Incremented counter generated by message sender, assigned to a packaging group in the message. We recommend starting at 1.
7166	Hierarchical structure parent identifier	C	an..35	N		Nicht genutzt
7075	Packaging level code	C	an..3	R	an..3	Code specifying the packaging level. <b>5</b> Shipment level

Beispiel:

**CPS+2++5'**

## Segmente

Nr	Bez	St	MaxWdh	Name
	SG20	R	1	Group of packaging items
21	PAC	M	1	Package

Standard		Implementierung			
Bez	Name	St	Format	St	Anwendung / Bemerkung
7224	Package quantity	C	n..8	R n..4	Number of packages assigned to this group (number of identical packages).
C531	Packaging details	C		N	Nicht genutzt
7075	Packaging level code	C	an..3	N	Nicht genutzt
7233	Packaging related description code	C	an..3	N	Nicht genutzt
7073	Packaging terms and conditions code	C	an..3	N	Nicht genutzt
C202	Package type	C		R	
7065	Package type description code	C	an..17	R an..17	Package type code (bundle or transport packaging unit), assigned by the provider of the empty packaging. If a packaging type code is available for the bundle, it should be specified here. If the packaging type code is not known, use "UNKNOWN".
1131	Code list identification code	C	an..17	N	Nicht genutzt
3055	Code list responsible agency code	C	an..3	R an..3	<b>091</b> Assigned by the provider of the empty packaging
7064	Type of packages	C	an..35	N	Nicht genutzt
C402	Package type identification	C		O	
7077	Description format code	M	an..3	M an..3	<b>S</b> Structured (from industry code list)
7064	Type of packages	M	an..35	M an..35	Additional packaging type specified by receiver of empty packaging and/or other parties.
7143	Item type identification code	C	an..3	R an..3	Code specifying the agency responsible for a code list. <b>092</b> Assigned by the receiver of the empty packaging ODDC101(1) <b>X1</b> GALIA France Package Type Code ODDC101(1) <b>X2</b> VDA Germany Package Type Code ODDC101(1) <b>X3</b> Other third party Package Type Code ODDC101(1)
7064	Type of packages	C	an..35	O an..35	Designation of packaging from a third organisation.
7143	Item type identification code	C	an..3	D an..3	Code specifying the agency responsible for a code list. Has to be provided if 7064 is used. <b>X1</b> GALIA France Package Type Code ODDC101(1) <b>X2</b> VDA Germany Package Type Code ODDC101(1) <b>X3</b> Other third party Package Type Code ODDC101(1) <b>092</b> Assigned by the receiver of the empty packaging ODDC101(1)
C532	Returnable package details	C		O	
8395	Returnable package freight payment responsibility code	C	an..3	N	Nicht genutzt
8393	Returnable package load contents code	C	an..3	R an..3	To indicate that an (empty) package is folded. <b>11</b> Empty container, folded

Bez =Bezeichner; Nr = Laufende Segmentnummer im Guide; MaxWdh = Maximale Wiederholung; St = Status (M=Muss/Mandatory, C=Conditional, R=Erforderlich/Required, O=Optional, D=Abhängig von/Dependent, A=Empfohlen/Advised)

## Segmente

---

Beispiel:

**PAC+9++Bundle::091+S:PackageTypeCode:092:PackageType-Organisation:X1+:11'**

Bez =Bezeichner; Nr = Laufende Segmentnummer im Guide; MaxWdh = Maximale Wiederholung; St = Status (M=Muss/Mandatory, C=Conditional, R=Erforderlich/Required, O=Optional, D=Abhängig von/Dependent, A=Empfohlen/Advised)

## Segmente

Nr	Bez	St	MaxWdh	Name
	SG21	O	999	List of individual package items
22	PCI	M	1	Package identification

Standard		Implementierung			
Bez	Name	St	Format	St	Anwendung / Bemerkung
4233	Marking instructions code	C	an..3	N	Nicht genutzt
C210	Marks & labels	C		N	Nicht genutzt
7102	Shipping marks description	M	an..35	N	Nicht genutzt
7102	Shipping marks description	C	an..35	N	Nicht genutzt
7102	Shipping marks description	C	an..35	N	Nicht genutzt
7102	Shipping marks description	C	an..35	N	Nicht genutzt
7102	Shipping marks description	C	an..35	N	Nicht genutzt
7102	Shipping marks description	C	an..35	N	Nicht genutzt
7102	Shipping marks description	C	an..35	N	Nicht genutzt
7102	Shipping marks description	C	an..35	N	Nicht genutzt
7102	Shipping marks description	C	an..35	N	Nicht genutzt
7102	Shipping marks description	C	an..35	N	Nicht genutzt
8275	Container or package contents indicator code	C	an..3	N	Nicht genutzt
C827	Type of marking	C		R	
7511	Marking type code	M	an..3	M an..3	The Data Identifier (DI) of the label is the first part of the transport label. Use J if a license plate is used in the GIN+ML. <b>J</b> Unique number of a transport handling unit JAI019
1131	Code list identification code	C	an..17	N	Nicht genutzt
3055	Code list responsible agency code	C	an..3	O an..3	Code specifying the agency responsible for a code list.  <b>5</b> ISO (International Organization for Standardization)

Beispiel:

**PCI++++J: :5'**



## Segmente

Nr	Bez	St	MaxWdh	Name
	<b>SG23</b>	R	999	Label number(s) of the transport handling unit
23	<b>GIN</b>	M	1	Label IDs

Standard		Implementierung			
Bez	Name	St	Format	St	Format Anwendung / Bemerkung
7405	Object identification code qualifier	M	an..3	M	an..3 <b>ML</b> Marking/label number
C208	Identity number range	M		M	
7402	Object identifier	M	an..35	M	an..35 Label ID Label ID of the handling unit (license plate), consisting of the issuing agency code (IAC) (e.g. UN for Dun & Breadstreet), the company code of the shipper (e.g. DUNS number) plus the unique ID of the shipping unit assigned by shipper, who was identified e.g. with the DUNS number (e.g. 000012345) => JUN123456789000012345
7402	Object identifier	C	an..35	N	Nicht genutzt
C208	Identity number range	C		O	
7402	Object identifier	M	an..35	M	an..35 see 7402 # 1
7402	Object identifier	C	an..35	N	Nicht genutzt
C208	Identity number range	C		O	
7402	Object identifier	M	an..35	M	an..35 see 7402 # 1
7402	Object identifier	C	an..35	N	Nicht genutzt
C208	Identity number range	C		O	
7402	Object identifier	M	an..35	M	an..35 see 7402 # 1
7402	Object identifier	C	an..35	N	Nicht genutzt
C208	Identity number range	C		O	
7402	Object identifier	M	an..35	M	an..35 see 7402 # 1
7402	Object identifier	C	an..35	N	Nicht genutzt

Beispiel:

**GIN+ML+JUN123456789000012345+JUN123456789000012347+JUN123456789000012346+JUN123456789000012350+JUN123456789000012362'**

Bez =Bezeichner; Nr = Laufende Segmentnummer im Guide; MaxWdh = Maximale Wiederholung; St = Status (M=Muss/Mandatory, C=Conditional, R=Erforderlich/Required, O=Optional, D=Abhängig von/Dependent, A=Empfohlen/Advised)

## Segmente

Nr	Bez	St	MaxWdh	Name
	<b>SG25</b>	R	9999	Article identification and despatch quantity
24	<b>LIN</b>	M	1	Packaging code of supplier of empties

Standard		Implementierung				
Bez	Name	St	Format	St	Format	Anwendung / Bemerkung
1082	Line item identifier	C	an..6	O	an..6	It may be necessary to define the rules for generating unique line numbers bilaterally. The date element should only be used, if absolutely required by the business process.
1229	Action request/notification description code	C	an..3	N		Nicht genutzt
C212	Item number identification	C		R		
7140	Item identifier	C	an..35	R	an..35	Packaging code of supplier of empties
7143	Item type identification code	C	an..3	R	an..3	<b>O91</b> Assigned by the provider of the empty packaging ODDC101(1)
1131	Code list identification code	C	an..17	N		Nicht genutzt
3055	Code list responsible agency code	C	an..3	N		Nicht genutzt
C829	Sub-line information	C		N		Nicht genutzt
5495	Sub-line indicator code	C	an..3	N		Nicht genutzt
1082	Line item identifier	C	an..6	N		Nicht genutzt
1222	Configuration level number	C	n..2	N		Nicht genutzt
7083	Configuration operation code	C	an..3	N		Nicht genutzt

Beispiel:

**LIN+1++KLT123:O91'**

## Segmente

Nr	Bez	St	MaxWdh	Name
	SG25	R	9999	Article identification and despatch quantity
25	PIA	O	1	Additional package type code

Standard		Implementierung				
Bez	Name	St	Format	St	Format	Anwendung / Bemerkung
4347	Product identifier code qualifier	M	an..3	M	an..3	1 Additional identification
C212	Item number identification	M		M		
7140	Item identifier	C	an..35	R	an..35	Additional package type code Package type code assigned from the customer in the RTI process and / or package type code of a third party
7143	Item type identification code	C	an..3	R	an..3	BJ = Package Bundle Type Code <b>BJ</b> Next higher assembly number <b>X1</b> GALIA France Package Type Code ODDC101(1) <b>X2</b> VDA Germany Package Type Code ODDC101(1) <b>X3</b> Other third party Package Type Code ODDC101(1) <b>O92</b> Assigned by the receiver of the empty packaging ODDC101(1)
1131	Code list identification code	C	an..17	N		Nicht genutzt
3055	Code list responsible agency code	C	an..3	N		Nicht genutzt
C212	Item number identification	C		O		see C212#1
7140	Item identifier	C	an..35	R	an..35	
7143	Item type identification code	C	an..3	R	an..3	See C212#1 data element 7143
1131	Code list identification code	C	an..17	N		Nicht genutzt
3055	Code list responsible agency code	C	an..3	N		Nicht genutzt
C212	Item number identification	C		O		see C212#1
7140	Item identifier	C	an..35	R	an..35	
7143	Item type identification code	C	an..3	R	an..3	See C212#1 data element 7143
1131	Code list identification code	C	an..17	N		Nicht genutzt
3055	Code list responsible agency code	C	an..3	N		Nicht genutzt
C212	Item number identification	C		O		see C212#1
7140	Item identifier	C	an..35	R	an..35	
7143	Item type identification code	C	an..3	R	an..3	See C212#1 data element 7143
1131	Code list identification code	C	an..17	N		Nicht genutzt
3055	Code list responsible agency code	C	an..3	N		Nicht genutzt
C212	Item number identification	C		O		see C212#1
7140	Item identifier	C	an..35	R	an..35	
7143	Item type identification code	C	an..3	R	an..3	See C212#1 data element 7143
1131	Code list identification code	C	an..17	N		Nicht genutzt
3055	Code list responsible agency code	C	an..3	N		Nicht genutzt

Package type code of the receiver of the empty packaging and/or package type code of a third party.  
The sequence of the individual IDs in C212 is free. The first C212 must however be filled. The remaining C212 are optional.

Bez =Bezeichner; Nr = Laufende Segmentnummer im Guide; MaxWdh = Maximale Wiederholung; St = Status (M=Muss/Mandatory, C=Conditional, R=Erforderlich/Required, O=Optional, D=Abhängig von/Dependent, A=Empfohlen/Advised)

## Segmente

Beispiel:

**PIA+1+PackageTypeCode : X3+PackageTypeCode : 092+PackageType-Organisation : X1+PackageTypeCode : X2+PackageTypeCode : BJ'**

Bez =Bezeichner; Nr = Laufende Segmentnummer im Guide; MaxWdh = Maximale Wiederholung; St = Status (M=Muss/Mandatory, C=Conditional, R=Erforderlich/Required, O=Optional, D=Abhängig von/Dependent, A=Empfohlen/Advised)

## Segmente

Nr	Bez	St	MaxWdh	Name
	<b>SG25</b>	R	9999	Article identification and despatch quantity
26	<b>IMD</b>	O	1	Indicator - empty container, folded and package type description

Standard		Implementierung				
Bez	Name	St	Format	St	Format	Anwendung / Bemerkung
7077	Description format code	C	an..3	R	an..3	<b>B</b> Code and text
C272	Item characteristic	C		O		
7081	Item characteristic code	C	an..3	R	an..3	Package Folded Indicator <b>FO</b> Empty container, folded ODDC154(1)
1131	Code list identification code	C	an..17	N		Nicht genutzt
3055	Code list responsible agency code	C	an..3	R	an..3	<b>10</b> ODETTE
C273	Item description	C		O		
7009	Item description code	C	an..17	N		Nicht genutzt
1131	Code list identification code	C	an..17	N		Nicht genutzt
3055	Code list responsible agency code	C	an..3	N		Nicht genutzt
7008	Item description	C	an..256	R	an..256	Package type description Description / short name of packaging type in plain text.
7008	Item description	C	an..256	N		Nicht genutzt
3453	Language name code	C	an..3	O	an..3	Language code according to ISO 639-1988
7383	Surface or layer code	C	an..3	N		Nicht genutzt

Beispiel:

**IMD+B+FO::10+:::PackageTypeDescription::en'**

## Segmente

Nr	Bez	St	MaxWdh	Name
	<b>SG25</b>	R	9999	Article identification and despatch quantity
27	<b>QTY</b>	R	2	Sum of the delivered quantity in this shipment (= message)

Standard		Implementierung		
Bez	Name	St	Format	Anwendung / Bemerkung
C186	Quantity details	M		M
6063	Quantity type code qualifier	M	an..3	M an..3 <b>48</b> Received quantity <b>194</b> Received and accepted
6060	Quantity	M	an..35	M n..9 Sum of the delivered quantity in this shipment (= message) If the LIN segment group is repeated with a packaging code (to specify, for example, the serial numbers of the containers), the total delivery quantity for this packaging code is specified redundantly in each LIN group.
6411	Measurement unit code	C	an..8	N Nicht genutzt

Beispiel:

**QTY+48 : 9'**

## Segmente

Nr	Bez	St	MaxWdh	Name
	<b>SG25</b>	R	9999	Article identification and despatch quantity
28	<b>QTY</b>	O	7	Quantities in this shipment (= message)

Standard		Implementierung			
Bez	Name	St	Format	St	Anwendung / Bemerkung
C186	Quantity details	M		M	
6063	Quantity type code qualifier	M	an..3	M	an..3 194 - Received and accepted quantity (ok) 119 - Missing quantity 124 - Damaged quantity 121 - Over shipped quantity and accepted 195 - Over shipped quantity not accepted, to be returned 96 - Soiled quantity, accepted 66 - Original confirmed quantity <b>195</b> Received, not accepted, to be returned <b>124</b> Damaged goods <b>119</b> Short shipped <b>121</b> Over shipped <b>96</b> Quality control failed <b>66</b> Committed quantity <b>X1</b> Soiled quantity, not accepted, to be returned ODDC155(1)
6060	Quantity	M	an..35	M	n..9 Quantities in this shipment (= message)
6411	Measurement unit code	C	an..8	N	Nicht genutzt

Beispiel:

**QTY+195:9'**

## Segmente

Nr	Bez	St	MaxWdh	Name
	<b>SG25</b>	R	9999	Article identification and despatch quantity
29	<b>FTX</b>	O	5	Free text

Standard		Implementierung			
Bez	Name	St	Format	St	Format Anwendung / Bemerkung
4451	Text subject code qualifier	M	an..3	M	an..3 <b>ABO</b> Discrepancy information
4453	Free text function code	C	an..3	N	Nicht genutzt
C107	Text reference	C		D	
4441	Free text description code	M	an..17	M	an..17 Remark for wrongly received packages, coded
1131	Code list identification code	C	an..17	N	Nicht genutzt
3055	Code list responsible agency code	C	an..3	N	Nicht genutzt
C108	Text literal	C		D	
4440	Free text	M	an..512	M	an..512 Remark for wrongly received packages, free text
4440	Free text	C	an..512	N	Nicht genutzt
4440	Free text	C	an..512	N	Nicht genutzt
4440	Free text	C	an..512	N	Nicht genutzt
4440	Free text	C	an..512	N	Nicht genutzt
3453	Language name code	C	an..3	O	an..3
4447	Free text format code	C	an..3	N	Nicht genutzt

Beispiel:

**FTX+ABO++++de '**



## Segmente

Nr	Bez	St	MaxWdh	Name
	SG31	O	99	Serial Number(s)
30	GIN	M	1	Serial Number(s)

Standard		Implementierung			
Bez	Name	St	Format	St	Anwendung / Bemerkung
7405	Object identification code qualifier	M	an..3	M	an..3 <b>BN</b> Serial number
C208	Identity number range	M		M	
7402	Object identifier	M	an..35	M	an..35 Identity Number Serial number of part. Might consist of data identifier (DI), agency code (e.g. UN for DUNS), manufacturer code (e.g. DUNS number), part number and serial number. If this number is longer than 35 digits, only the first 35 digits are transmitted and the remaining digits are entered in DE 7402#2. Otherwise, DE 7402#2 remains blank.
7402	Object identifier	C	an..35	D	an..35 Identity Number Only used, if the serial number is longer than 35 digits. In this case, bytes 36 ... end are transferred here.
C208	Identity number range	C		O	Further identity numbers
7402	Object identifier	M	an..35	M	an..35 Serial number of part. Might consist of data identifier (DI), agency code (e.g. UN for DUNS), manufacturer code (e.g. DUNS number), part number and serial number. If this number is longer than 35 digits, only the first 35 digits are transmitted and the remaining digits are entered in DE 7402#2. Otherwise, DE 7402#2 remains blank.
7402	Object identifier	C	an..35	O	an..35 Only used, if the serial number is longer than 35 digits. In this case, bytes 36 ... end are transferred here.
C208	Identity number range	C		O	Further identity numbers
7402	Object identifier	M	an..35	M	an..35 Serial number of part. Might consist of data identifier (DI), agency code (e.g. UN for DUNS), manufacturer code (e.g. DUNS number), part number and serial number. If this number is longer than 35 digits, only the first 35 digits are transmitted and the remaining digits are entered in DE 7402#2. Otherwise, DE 7402#2 remains blank.
7402	Object identifier	C	an..35	O	an..35 Only used, if the serial number is longer than 35 digits. In this case, bytes 36 ... end are transferred here.
C208	Identity number range	C		O	Further identity numbers
7402	Object identifier	M	an..35	M	an..35 Serial number of part. Might consist of data identifier (DI), agency code (e.g. UN for DUNS), manufacturer code (e.g. DUNS number), part number and serial number. If this number is longer than 35 digits, only the first 35 digits are transmitted and the remaining digits are entered in DE 7402#2. Otherwise, DE 7402#2 remains blank.
7402	Object identifier	C	an..35	O	an..35 Only used, if the serial number is longer than 35 digits. In this case, bytes 36 ... end are transferred here.
C208	Identity number range	C		O	Further identity numbers
7402	Object identifier	M	an..35	M	an..35 Serial number of part. Might consist of data identifier (DI), agency code (e.g. UN for DUNS), manufacturer code (e.g. DUNS number), part number and serial number. If this number is longer than 35 digits, only the first 35 digits are transmitted and the remaining digits are entered in DE 7402#2. Otherwise, DE 7402#2 remains blank.
7402	Object identifier	C	an..35	O	an..35 Only used, if the serial number is longer than 35 digits. In this case, bytes 36 ... end are transferred here.
C208	Identity number range	C		O	Further identity numbers
7402	Object identifier	M	an..35	M	an..35 Serial number of part. Might consist of data identifier (DI), agency code (e.g. UN for DUNS), manufacturer code (e.g. DUNS number), part number and serial number. If this number is longer than 35 digits, only the first 35 digits are transmitted and the remaining digits are entered in DE 7402#2. Otherwise, DE 7402#2 remains blank.
7402	Object identifier	C	an..35	O	an..35 Only used, if the serial number is longer than 35 digits. In this case, bytes 36 ... end are transferred here.

All GIN Segments in one SG17 shall not exceed 100 occurrences.

If it is necessary to identify RTIs with serial numbers for damage or other quantities, the LIN group can be repeated for the

Bez =Bezeichner; Nr = Laufende Segmentnummer im Guide; MaxWdh = Maximale Wiederholung; St = Status (M=Muss/Mandatory, C=Conditional, R=Erforderlich/Required, O=Optional, D=Abhängig von/Dependent, A=Empfohlen/Advised)

## Segmente

different serial numbers and quantities.

Beispiel:

**GIN+BN+DATAIDENTIFIERUNDUNSNUMBERBEHÄLTERT : YPSERIALNUMMER+DATAIDENTIFIERUN  
DUNSNUMBERBEHÄLTERT : YPSERIALNUMMER+DATAIDENTIFIERUNDUNSNUMBERBEHÄLTERT : YPS  
ERIALNUMMER+DATAIDENTIFIERUNDUNSNUMBERBEHÄLTERT : YPSERIALNUMMER+DATAIDENTIF  
IERUNDUNSNUMBERBEHÄLTERT : YPSERIALNUMMER '**

Bez =Bezeichner; Nr = Laufende Segmentnummer im Guide; MaxWdh = Maximale Wiederholung; St = Status (M=Muss/Mandatory, C=Conditional, R=Erforderlich/Required, O=Optional, D=Abhängig von/Dependent, A=Empfohlen/Advised)

## Segmente

Nr	Bez	St	MaxWdh	Name
	SG33	O	10	Shipment / Delivery note reference
31	RFF	M	1	Shipment / Delivery note reference

Standard		Implementierung				
Bez	Name	St	Format	St	Format	Anwendung / Bemerkung
C506	Reference	M		M		
1153	Reference code qualifier	M	an..3	M	an..3	<b>AAU</b> Despatch note document identifier
1154	Reference identifier	C	an..70	R	an..35	Delivery note number
1156	Document line identifier	C	an..6	O	an..6	Line number in the delivery note
4000	Reference version identifier	C	an..35	N		Nicht genutzt
1060	Revision identifier	C	an..6	N		Nicht genutzt

Beispiel:

**RFF+AAU:DeliveryNote3:1'**

## Segmente

Nr	Bez	St	MaxWdh	Name
	<b>SG33</b>	O	10	Order reference Reference to a related order message / line Pull = Order number Push = Message N° of the early delivery notification
32	<b>RFF</b>	M	1	Order reference

Standard		Implementierung		
Bez	Name	St	Format	Anwendung / Bemerkung
C506	Reference	M		M
1153	Reference code qualifier	M	an..3	M an..3 <b>ON</b> Order document identifier, buyer assigned <b>X06</b> Packaging Delivery - Early Notification ODDC001(1)
1154	Reference identifier	C	an..70	R an..35 Unique identifier of an order document.
1156	Document line identifier	C	an..6	O an..6 Referenced order line number from the LIN-Segment of the order message if item was used.
4000	Reference version identifier	C	an..35	N Nicht genutzt
1060	Revision identifier	C	an..6	N Nicht genutzt

Beispiel:

**RFF+ON:OrderReference:1'**

## Segmente

Nr	Bez	St	MaxWdh	Name
	<b>SG33</b>	O	10	Order reference Reference to a related order message / line Pull = Order number Push = Message N° of the early delivery notification
33	<b>DTM</b>	O	1	Reference date

Standard		Implementierung		
Bez	Name	St	Format	Anwendung / Bemerkung
C507	Date/time/period	M	M	
2005	Date or time or period function code qualifier	M	an..3	M an..3 <b>171</b> Reference date/time
2380	Date or time or period text	C	an..35	R n..12 Order date
2379	Date or time or period format code	C	an..3	R an..3 <b>102</b> CCYYMMDD <b>203</b> CCYYMMDDHHMM

Beispiel:

**DTM+171:20131201:102'**

## Segmente

Nr	Bez	St	MaxWdh	Name
	<b>SG33</b>	O	1	Release authorisation number
34	<b>RFF</b>	M	1	Release authorisation number

Standard		Implementierung		
Bez	Name	St	Format	Anwendung / Bemerkung
C506	Reference	M		M
1153	Reference code qualifier	M	an..3	M an..3
1154	Reference identifier	C	an..70	R an..70 Release authorisation number Unique identifier for a particular combination of quantity and delivery date of a specified package type in a delivery (e.g. RAN in the Renault process or numero d'ordre in the PSA process).
1156	Document line identifier	C	an..6	N Nicht genutzt
4000	Reference version identifier	C	an..35	N Nicht genutzt
1060	Revision identifier	C	an..6	N Nicht genutzt

Beispiel:

**RFF+AAP : RAN1234 '**

## Segmente

Nr	Bez	St	MaxWdh	Name
35	<b>CNT</b>	O	1	Number of line items in message

Standard		Implementierung		
Bez	Name	St	Format	Anwendung / Bemerkung
C270	Control	M		M
6069	Control total type code qualifier	M	an..3	M an..3 <b>2</b> Number of line items in message
6066	Control total quantity	M	n..18	M n..18
6411	Measurement unit code	C	an..8	N Nicht genutzt

Beispiel:

**CNT+2 : 9'**

## Segmente

Nr	Bez	St	MaxWdh	Name
36	<b>UNT</b>	M	1	Message trailer

Standard		Implementierung		
Bez	Name	St	Format	St Format Anwendung / Bemerkung
0074	Number of segments in the message	M	n..6	M n..6
0062	Message reference number	M	an..14	M an..14

Beispiel:

**UNT+34+AAA0001'**

Bez =Bezeichner; Nr = Laufende Segmentnummer im Guide; MaxWdh = Maximale Wiederholung; St = Status (M=Muss/Mandatory, C=Conditional, R=Erforderlich/Required, O=Optional, D=Abhängig von/Dependent, A=Empfohlen/Advised)



## Segmente

Nr	Bez	St	MaxWdh	Name
37	<b>UNZ</b>	M	1	Interchange trailer

Standard		Implementierung		
Bez	Name	St	Format	St Format Anwendung / Bemerkung
0036	Interchange control count	M	n..6	M n..6
0020	Interchange control reference	M	an..14	M an..14 Repetition of the value transmitted in UNB data element 0020.

Beispiel:

**UNZ+1+2022000025'**

## Applicable codes

<b>0001 Syntax identifier</b>		
Code	Name/description	Code list
<b>UNOA</b>	UN/ECE level A	0001
<b>UNOB</b>	UN/ECE level B	0001
<b>UNOC</b>	UN/ECE level C	0001
<b>UNOD</b>	UN/ECE level D	0001
<b>UNOW</b>	UN/ECE level W	0001
<b>0002 Syntax version number</b>		
Code	Name/description	Code list
<b>X</b>	Syntax version 4 ISO 9735-11 profile.	0002
<b>0007 Partner identification code qualifier</b>		
Code	Name/description	Code list
<b>1</b>	DUNS (Data Universal Numbering System)	0007
<b>4</b>	IATA (International Air Transport Association)	0007
<b>5</b>	INSEE (Institut National de la Statistique et des Etudes Economiques) - SIRET	0007
<b>8</b>	UCC Communications ID (Uniform Code Council Communications Identifier)	0007
<b>9</b>	DUNS (Data Universal Numbering System) with 4 digit suffix	0007
<b>12</b>	Telephone number	0007
<b>14</b>	GS1	0007
<b>18</b>	AIAG (Automotive Industry Action Group)	0007
<b>22</b>	INSEE (Institut National de la Statistique et des Etudes Economiques) - SIREN	0007
<b>30</b>	ISO 6523: Organization identification	0007
<b>31</b>	DIN (Deutsches Institut fuer Normung)	0007
<b>33</b>	BfA (Bundesversicherungsanstalt fuer Angestellte)	0007
<b>34</b>	National Statistical Agency	0007
<b>51</b>	GEIS (General Electric Information Services)	0007
<b>52</b>	INS (IBM Network Services)	0007
<b>53</b>	Datenzentrale des Einzelhandels	0007
<b>54</b>	Bundesverband der Deutschen Baustoffhaendler	0007
<b>55</b>	Bank identifier code	0007
<b>57</b>	KTNet (Korea Trade Network Services)	0007
<b>58</b>	UPU (Universal Postal Union)	0007
<b>59</b>	ODETTE (Organization for Data Exchange through Tele- Transmission in Europe)	0007
<b>61</b>	SCAC (Standard Carrier Alpha Code)	0007
<b>63</b>	ECA (Electronic Commerce Australia)	0007
<b>65</b>	TELEBOX 400 (Deutsche Telekom)	0007
<b>80</b>	NHS (National Health Service)	0007
<b>82</b>	Statens Teleforvaltning	0007
<b>84</b>	Athens Chamber of Commerce	0007
<b>85</b>	Swiss Chamber of Commerce	0007
<b>86</b>	US Council for International Business	0007
<b>87</b>	National Federation of Chambers of Commerce and Industry	0007
<b>89</b>	Association of British Chambers of Commerce	0007
<b>90</b>	SITA (Societe Internationale de Telecommunications Aeronautiques)	0007
<b>91</b>	Assigned by seller or seller's agent	0007
<b>92</b>	Assigned by buyer or buyer's agent	0007
<b>103</b>	TW, Trade-van	0007
<b>128</b>	CH, BCNR (Swiss Clearing Bank Number)	0007
<b>129</b>	CH, BPI (Swiss Business Partner Identification)	0007
<b>144</b>	US, DoDAAC (Department of Defense Activity Address Code)	0007
<b>145</b>	FR, DGCP (Direction Generale de la Comptabilite Publique)	0007
<b>146</b>	FR, DGI (Direction Generale des Impots)	0007
<b>147</b>	JP, JIPDEC/ECPC (Japan Information Processing Development Corporation / Electronic Commerce Promotion Center)	0007

## Applicable codes

Code	Name/description	Code list
<b>148</b>	ITU (International Telecommunications Union) Data Network Identification Code (DNIC)	0007
<b>500</b>	DE, BDEW (Bundesverband der Energie- und Wasserwirtschaft e.V.)	0007
<b>501</b>	EASEE-gas (European Association for the Streamlining of Energy Exchange)	0007
<b>502</b>	DE, DVGW (Deutsche Vereinigung des Gas- und Wasserfaches e.V.)	0007
<b>Z01</b>	Vehicle registration number	0007
<b>ZZZ</b>	Mutually defined	0007
<b>0035</b>	<b>Test indicator</b>	
Code	Name/description	Code list
<b>1</b>	Interchange is a test	0035
<b>0051</b>	<b>Controlling agency</b>	
Code	Name/description	Code list
<b>UN</b>	UN/CEFACT	0051
<b>0052</b>	<b>Message version number</b>	
Code	Name/description	Code list
<b>D</b>	Draft version/UN/EDIFACT Directory	0052
<b>0054</b>	<b>Message release number</b>	
Code	Name/description	Code list
<b>03A</b>	Release 2003 - A	0054
<b>0057</b>	<b>Association assigned code</b>	
Code	Name/description	Code list
<b>GAVW30</b>	VDA Packaging Receiving Advice - RECADV V3.0	JAI016
<b>0065</b>	<b>Message type</b>	
Code	Name/description	Code list
<b>RECADV</b>	Receiving advice message	0065
<b>1001</b>	<b>Document name code</b>	
Code	Name/description	Code list
<b>632</b>	Goods receipt	1001
<b>1153</b>	<b>Reference code qualifier</b>	
Code	Name/description	Code list
<b>X06</b>	Packaging Delivery - Early Notification	ODDC001(1)
<b>AAP</b>	Partial shipment identifier	1153
<b>AAU</b>	Despatch note document identifier	1153
<b>ADE</b>	Account number	1153
<b>AKI</b>	Ordering customer's second reference number	1153
<b>ANK</b>	Reference number assigned by third party	1153
<b>AOZ</b>	Implementation version number	1153
<b>CRN</b>	Transport means journey identifier	1153
<b>ON</b>	Order document identifier, buyer assigned	1153
<b>1225</b>	<b>Message function code</b>	
Code	Name/description	Code list
<b>9</b>	Original	1225
<b>2005</b>	<b>Date or time or period function code qualifier</b>	
Code	Name/description	Code list
<b>35</b>	Delivery date/time, actual	2005
<b>50</b>	Goods receipt date/time	2005
<b>69</b>	Delivery date time, promised before	2005
<b>79</b>	Shipment date/time, promised for	2005
<b>137</b>	Document issue date time	2005

## Applicable codes

Code	Name/description	Code list
<b>171</b>	Reference date/time	2005
<b>2379</b>	<b>Date or time or period format code</b>	
Code	Name/description	Code list
<b>102</b>	CCYYMMDD	2379
<b>203</b>	CCYYMMDDHHMM	2379
<b>205</b>	CCYYMMDDHHMMZHHMM	2379
<b>719</b>	CCYYMMDDHHMM-CCYYMMDDHHMM	2379
<b>3035</b>	<b>Party function code qualifier</b>	
Code	Name/description	Code list
<b>MR</b>	Message recipient	3035
<b>MS</b>	Document/message issuer/sender	3035
<b>ST</b>	Ship to	3035
<b>3055</b>	<b>Code list responsible agency code</b>	
Code	Name/description	Code list
<b>091</b>	Assigned by the provider of the empty packaging	3055
<b>092</b>	Assigned by the receiver of the empty packaging	3055
<b>5</b>	ISO (International Organization for Standardization)	3055
<b>6</b>	UN/ECE (United Nations - Economic Commission for Europe)	3055
<b>10</b>	ODETTE	3055
<b>16</b>	US, D&B (Dun & Bradstreet Corporation)	3055
<b>3207</b>	<b>Country name code</b>	
Code	Name/description	Code list
<b>AD</b>	ANDORRA	3207
<b>AE</b>	UNITED ARAB EMIRATES	3207
<b>AF</b>	AFGHANISTAN	3207
<b>AG</b>	ANTIGUA AND BARBUDA	3207
<b>AI</b>	ANGUILLA	3207
<b>AL</b>	ALBANIA	3207
<b>AM</b>	ARMENIA	3207
<b>AN</b>	NETHERLANDS ANTILLES	3207
<b>AO</b>	ANGOLA	3207
<b>AQ</b>	ANTARCTICA	3207
<b>AR</b>	ARGENTINA	3207
<b>AS</b>	AMERICAN SAMOA	3207
<b>AT</b>	AUSTRIA	3207
<b>AU</b>	AUSTRALIA	3207
<b>AW</b>	ARUBA	3207
<b>AX</b>	ÅLAND ISLANDS	3207
<b>AZ</b>	AZERBAIJAN	3207
<b>BA</b>	BOSNIA AND HERZEGOVINA	3207
<b>BB</b>	BARBADOS	3207
<b>BD</b>	BANGLADESH	3207
<b>BE</b>	BELGIUM	3207
<b>BF</b>	BURKINA FASO	3207
<b>BG</b>	BULGARIA	3207
<b>BH</b>	BAHRAIN	3207
<b>BI</b>	BURUNDI	3207
<b>BJ</b>	BENIN	3207
<b>BL</b>	SAINT BARTHÉLEMY	3207
<b>BM</b>	BERMUDA	3207
<b>BN</b>	BRUNEI DARUSSALAM	3207
<b>BO</b>	BOLIVIA (PLURINATIONAL STATE OF)	3207

## Applicable codes

Code	Name/description	Code list
<b>BQ</b>	BONAIRE, SINT EUSTATIUS AND SABA	3207
<b>BR</b>	BRAZIL	3207
<b>BS</b>	BAHAMAS	3207
<b>BT</b>	BHUTAN	3207
<b>BV</b>	BOUVET ISLAND	3207
<b>BW</b>	BOTSWANA	3207
<b>BY</b>	BELARUS	3207
<b>BZ</b>	BELIZE	3207
<b>CA</b>	CANADA	3207
<b>CC</b>	COCOS (KEELING) ISLANDS	3207
<b>CD</b>	CONGO, DEMOCRATIC REPUBLIC OF	3207
<b>CF</b>	CENTRAL AFRICAN REPUBLIC	3207
<b>CG</b>	CONGO	3207
<b>CH</b>	SWITZERLAND	3207
<b>CI</b>	COTE D'IVOIRE	3207
<b>CK</b>	COOK ISLANDS	3207
<b>CL</b>	CHILE	3207
<b>CM</b>	CAMEROON	3207
<b>CN</b>	CHINA	3207
<b>CO</b>	COLOMBIA	3207
<b>CR</b>	COSTA RICA	3207
<b>CS</b>	SERBIA AND MONTENEGRO	3207
<b>CU</b>	CUBA	3207
<b>CV</b>	CAPE VERDE	3207
<b>CW</b>	CURAÇAO	3207
<b>CX</b>	CHRISTMAS ISLAND	3207
<b>CY</b>	CYPRUS	3207
<b>CZ</b>	CZECHIA	3207
<b>DE</b>	GERMANY	3207
<b>DJ</b>	DJIBOUTI	3207
<b>DK</b>	DENMARK	3207
<b>DM</b>	DOMINICA	3207
<b>DO</b>	DOMINICAN REPUBLIC	3207
<b>DZ</b>	ALGERIA	3207
<b>EC</b>	ECUADOR	3207
<b>EE</b>	ESTONIA	3207
<b>EG</b>	EGYPT	3207
<b>EH</b>	WESTERN SAHARA	3207
<b>ER</b>	ERITREA	3207
<b>ES</b>	SPAIN	3207
<b>ET</b>	ETHIOPIA	3207
<b>FI</b>	FINLAND	3207
<b>FJ</b>	FIJI	3207
<b>FK</b>	FALKLAND ISLANDS (MALVINAS)	3207
<b>FM</b>	MICRONESIA (FEDERATED STATES OF)	3207
<b>FO</b>	FAROE ISLANDS	3207
<b>FR</b>	FRANCE	3207
<b>GA</b>	GABON	3207
<b>GB</b>	UNITED KINGDOM OF GREAT BRITAIN AND NORTHERN IRELAND	3207
<b>GD</b>	GRENADA	3207
<b>GE</b>	GEORGIA	3207
<b>GF</b>	FRENCH GUIANA	3207
<b>GG</b>	GUERNSEY	3207
<b>GH</b>	GHANA	3207
<b>GI</b>	GIBRALTAR	3207

## Applicable codes

Code	Name/description	Code list
GL	GREENLAND	3207
GM	GAMBIA	3207
GN	GUINEA	3207
GP	GUADELOUPE	3207
GQ	EQUATORIAL GUINEA	3207
GR	GREECE	3207
GS	SOUTH GEORGIA AND THE SOUTH SANDWICH ISLANDS	3207
GT	GUATEMALA	3207
GU	GUAM	3207
GW	GUINEA-BISSAU	3207
GY	GUYANA	3207
HK	HONG KONG	3207
HM	HEARD ISLAND AND MCDONALD ISLANDS	3207
HN	HONDURAS	3207
HR	CROATIA	3207
HT	HAITI	3207
HU	HUNGARY	3207
ID	INDONESIA	3207
IE	IRELAND	3207
IL	ISRAEL	3207
IM	ISLE OF MAN	3207
IN	INDIA	3207
IO	BRITISH INDIAN OCEAN TERRITORY	3207
IQ	IRAQ	3207
IR	IRAN (ISLAMIC REPUBLIC OF)	3207
IS	ICELAND	3207
IT	ITALY	3207
JE	JERSEY	3207
JM	JAMAICA	3207
JO	JORDAN	3207
JP	JAPAN	3207
KE	KENYA	3207
KG	KYRGYZSTAN	3207
KH	CAMBODIA	3207
KI	KIRIBATI	3207
KM	COMOROS	3207
KN	SAINT KITTS AND NEVIS	3207
KP	KOREA (DEMOCRATIC PEOPLE'S REPUBLIC OF)	3207
KR	KOREA, REPUBLIC OF	3207
KW	KUWAIT	3207
KY	CAYMAN ISLANDS	3207
KZ	KAZAKHSTAN	3207
LA	LAO PEOPLE'S DEMOCRATIC REPUBLIC	3207
LB	LEBANON	3207
LC	SAINT LUCIA	3207
LI	LIECHTENSTEIN	3207
LK	SRI LANKA	3207
LR	LIBERIA	3207
LS	LESOTHO	3207
LT	LITHUANIA	3207
LU	LUXEMBOURG	3207
LV	LATVIA	3207
LY	LIBYA	3207
MA	MOROCCO	3207
MC	MONACO	3207

## Applicable codes

Code	Name/description	Code list
MD	MOLDOVA, REPUBLIC OF	3207
ME	MONTENEGRO	3207
MF	SAINT MARTIN (FRENCH PART)	3207
MG	MADAGASCAR	3207
MH	MARSHALL ISLANDS	3207
MK	MACEDONIA, THE FORMER YUGOSLAV REPUBLIC OF	3207
ML	MALI	3207
MM	MYANMAR	3207
MN	MONGOLIA	3207
MO	MACAO	3207
MP	NORTHERN MARIANA ISLANDS	3207
MQ	MARTINIQUE	3207
MR	MAURITANIA	3207
MS	MONTSERRAT	3207
MT	MALTA	3207
MU	MAURITIUS	3207
MV	MALDIVES	3207
MW	MALAWI	3207
MX	MEXICO	3207
MY	MALAYSIA	3207
MZ	MOZAMBIQUE	3207
NA	NAMIBIA	3207
NC	NEW CALEDONIA	3207
NE	NIGER	3207
NF	NORFOLK ISLAND	3207
NG	NIGERIA	3207
NI	NICARAGUA	3207
NL	NETHERLANDS	3207
NO	NORWAY	3207
NP	NEPAL	3207
NR	NAURU	3207
NU	NIUE	3207
NZ	NEW ZEALAND	3207
OM	OMAN	3207
PA	PANAMA	3207
PE	PERU	3207
PF	FRENCH POLYNESIA	3207
PG	PAPUA NEW GUINEA	3207
PH	PHILIPPINES	3207
PK	PAKISTAN	3207
PL	POLAND	3207
PM	SAINT PIERRE AND MIQUELON	3207
PN	PITCAIRN	3207
PR	PUERTO RICO	3207
PS	PALESTINE, STATE OF	3207
PT	PORTUGAL	3207
PW	PALAU	3207
PY	PARAGUAY	3207
QA	QATAR	3207
RE	REUNION	3207
RO	ROMANIA	3207
RS	SERBIA	3207
RU	RUSSIAN FEDERATION	3207
RW	RWANDA	3207
SA	SAUDI ARABIA	3207

## Applicable codes

Code	Name/description	Code list
<b>SB</b>	SOLOMON ISLANDS	3207
<b>SC</b>	SEYCHELLES	3207
<b>SD</b>	SUDAN	3207
<b>SE</b>	SWEDEN	3207
<b>SG</b>	SINGAPORE	3207
<b>SH</b>	SAINT HELENA, ASCENSION AND TRISTAN DA CUNHA	3207
<b>SI</b>	SLOVENIA	3207
<b>SJ</b>	SVALBARD AND JAN MAYEN	3207
<b>SK</b>	SLOVAKIA	3207
<b>SL</b>	SIERRA LEONE	3207
<b>SM</b>	SAN MARINO	3207
<b>SN</b>	SENEGAL	3207
<b>SO</b>	SOMALIA	3207
<b>SR</b>	SURINAME	3207
<b>SS</b>	SOUTH SUDAN	3207
<b>ST</b>	SAO TOME AND PRINCIPE	3207
<b>SV</b>	EL SALVADOR	3207
<b>SX</b>	SINT MAARTEN (DUTCH PART)	3207
<b>SY</b>	SYRIAN ARAB REPUBLIC	3207
<b>SZ</b>	SWAZILAND	3207
<b>TC</b>	TURKS AND CAICOS ISLANDS	3207
<b>TD</b>	CHAD	3207
<b>TF</b>	FRENCH SOUTHERN TERRITORIES	3207
<b>TG</b>	TOGO	3207
<b>TH</b>	THAILAND	3207
<b>TJ</b>	TAJKISTAN	3207
<b>TK</b>	TOKELAU	3207
<b>TL</b>	TIMOR-LESTE	3207
<b>TM</b>	TURKMENISTAN	3207
<b>TN</b>	TUNISIA	3207
<b>TO</b>	TONGA	3207
<b>TR</b>	TURKEY	3207
<b>TT</b>	TRINIDAD AND TOBAGO	3207
<b>TV</b>	TUVALU	3207
<b>TW</b>	TAIWAN, PROVINCE OF CHINA	3207
<b>TZ</b>	TANZANIA, UNITED REPUBLIC OF	3207
<b>UA</b>	UKRAINE	3207
<b>UG</b>	UGANDA	3207
<b>UM</b>	UNITED STATES MINOR OUTLYING ISLANDS	3207
<b>US</b>	UNITED STATES OF AMERICA	3207
<b>UY</b>	URUGUAY	3207
<b>UZ</b>	UZBEKISTAN	3207
<b>VA</b>	HOLY SEE	3207
<b>VC</b>	SAINT VINCENT AND THE GRENADINES	3207
<b>VE</b>	VENEZUELA (BOLIVARIAN REPUBLIC OF)	3207
<b>VG</b>	VIRGIN ISLANDS, BRITISH	3207
<b>VI</b>	VIRGIN ISLANDS, U.S.	3207
<b>VN</b>	VIET NAM	3207
<b>VU</b>	VANUATU	3207
<b>WF</b>	WALLIS AND FUTUNA	3207
<b>WS</b>	SAMOA	3207
<b>YE</b>	YEMEN	3207
<b>YT</b>	MAYOTTE	3207
<b>YU</b>	YUGOSLAVIA	3207
<b>ZA</b>	SOUTH AFRICA	3207



## Applicable codes

Code	Name/description	Code list
<b>ZM</b>	ZAMBIA	3207
<b>ZW</b>	ZIMBABWE	3207
<b>3227</b>	<b>Location function code qualifier</b>	
Code	Name/description	Code list
<b>11</b>	Place of discharge	3227
<b>3453</b>	<b>Language name code</b>	
Code	Name/description	Code list
<b>AA</b>	Afar	3453
<b>aa</b>	Afar	3453
<b>AB</b>	Abkhazian	3453
<b>ab</b>	Abkhazian	3453
<b>AE</b>	Avestan	3453
<b>ae</b>	Avestan	3453
<b>AF</b>	Afrikaans	3453
<b>af</b>	Afrikaans	3453
<b>AK</b>	Akan	3453
<b>ak</b>	Akan	3453
<b>AM</b>	Amharic	3453
<b>am</b>	Amharic	3453
<b>AN</b>	Aragonese	3453
<b>an</b>	Aragonese	3453
<b>AR</b>	Arabic	3453
<b>ar</b>	Arabic	3453
<b>AS</b>	Assamese	3453
<b>as</b>	Assamese	3453
<b>AV</b>	Avaric	3453
<b>av</b>	Avaric	3453
<b>AY</b>	Aymara	3453
<b>ay</b>	Aymara	3453
<b>AZ</b>	Azerbaijani	3453
<b>az</b>	Azerbaijani	3453
<b>BA</b>	Bashkir	3453
<b>ba</b>	Bashkir	3453
<b>BE</b>	Belarusian	3453
<b>be</b>	Belarusian	3453
<b>BG</b>	Bulgarian	3453
<b>bg</b>	Bulgarian	3453
<b>BH</b>	Bihari languages	3453
<b>bh</b>	Bihari languages	3453
<b>BI</b>	Bislama	3453
<b>bi</b>	Bislama	3453
<b>BM</b>	Bambara	3453
<b>bm</b>	Bambara	3453
<b>BN</b>	Bengali	3453
<b>bn</b>	Bengali	3453
<b>BO</b>	Tibetan	3453
<b>bo</b>	Tibetan	3453
<b>BR</b>	Breton	3453
<b>br</b>	Breton	3453
<b>BS</b>	Bosnian	3453
<b>bs</b>	Bosnian	3453
<b>CA</b>	Catalan; Valencian	3453
<b>ca</b>	Catalan; Valencian	3453

## Applicable codes

Code	Name/description	Code list
<b>CE</b>	Chechen	3453
<b>ce</b>	Chechen	3453
<b>CH</b>	Chamorro	3453
<b>ch</b>	Chamorro	3453
<b>CO</b>	Corsican	3453
<b>co</b>	Corsican	3453
<b>CR</b>	Cree	3453
<b>cr</b>	Cree	3453
<b>CS</b>	Czech	3453
<b>cs</b>	Czech	3453
<b>CU</b>	Church Slavonic; Old Slavonic; Church Slavonic; Old Bulgarian; Old Church Slavonic	3453
<b>cu</b>	Church Slavonic; Old Slavonic; Church Slavonic; Old Bulgarian; Old Church Slavonic	3453
<b>CV</b>	Chuvash	3453
<b>cv</b>	Chuvash	3453
<b>CY</b>	Welsh	3453
<b>cy</b>	Welsh	3453
<b>DA</b>	Danish	3453
<b>da</b>	Danish	3453
<b>DE</b>	German	3453
<b>de</b>	German	3453
<b>DV</b>	Divehi; Dhivehi; Maldivian	3453
<b>dv</b>	Divehi; Dhivehi; Maldivian	3453
<b>DZ</b>	Dzongkha	3453
<b>dz</b>	Dzongkha	3453
<b>EE</b>	Ewe	3453
<b>ee</b>	Ewe	3453
<b>EL</b>	Greek; Modern (1453-)	3453
<b>el</b>	Greek; Modern (1453-)	3453
<b>EN</b>	English	3453
<b>en</b>	English	3453
<b>EO</b>	Esperanto	3453
<b>eo</b>	Esperanto	3453
<b>ES</b>	Spanish; Castilian	3453
<b>es</b>	Spanish; Castilian	3453
<b>ET</b>	Estonian	3453
<b>et</b>	Estonian	3453
<b>EU</b>	Basque	3453
<b>eu</b>	Basque	3453
<b>FA</b>	Persian	3453
<b>fa</b>	Persian	3453
<b>FF</b>	Fulah	3453
<b>ff</b>	Fulah	3453
<b>FI</b>	Finnish	3453
<b>fi</b>	Finnish	3453
<b>FJ</b>	Fijian	3453
<b>fj</b>	Fijian	3453
<b>FO</b>	Faroese	3453
<b>fo</b>	Faroese	3453
<b>FR</b>	French	3453
<b>fr</b>	French	3453
<b>FY</b>	Western Frisian	3453
<b>fy</b>	Western Frisian	3453
<b>GA</b>	Irish	3453
<b>ga</b>	Irish	3453
<b>GD</b>	Gaelic; Scottish Gaelic	3453

## Applicable codes

Code	Name/description	Code list
<b>gd</b>	Gaelic; Scottish Gaelic	3453
<b>GL</b>	Galician	3453
<b>gl</b>	Galician	3453
<b>GN</b>	Guarani	3453
<b>gn</b>	Guarani	3453
<b>GU</b>	Gujarati	3453
<b>gu</b>	Gujarati	3453
<b>GV</b>	Manx	3453
<b>gv</b>	Manx	3453
<b>HA</b>	Hausa	3453
<b>ha</b>	Hausa	3453
<b>HE</b>	Hebrew	3453
<b>he</b>	Hebrew	3453
<b>HI</b>	Hindi	3453
<b>hi</b>	Hindi	3453
<b>HO</b>	Hiri Motu	3453
<b>ho</b>	Hiri Motu	3453
<b>HR</b>	Croatian	3453
<b>hr</b>	Croatian	3453
<b>HT</b>	Haitian; Haitian Creole	3453
<b>ht</b>	Haitian; Haitian Creole	3453
<b>HU</b>	Hungarian	3453
<b>hu</b>	Hungarian	3453
<b>HY</b>	Armenian	3453
<b>hy</b>	Armenian	3453
<b>HZ</b>	Herero	3453
<b>hz</b>	Herero	3453
<b>IA</b>	Interlingua (International Auxiliary Language Association)	3453
<b>ia</b>	Interlingua (International Auxiliary Language Association)	3453
<b>ID</b>	Indonesian	3453
<b>id</b>	Indonesian	3453
<b>IE</b>	Interlingue; Occidental	3453
<b>ie</b>	Interlingue; Occidental	3453
<b>IG</b>	Igbo	3453
<b>ig</b>	Igbo	3453
<b>II</b>	Sichuan Yi; Nuosu	3453
<b>ii</b>	Sichuan Yi; Nuosu	3453
<b>IK</b>	Inupiaq	3453
<b>ik</b>	Inupiaq	3453
<b>IO</b>	Ido	3453
<b>io</b>	Ido	3453
<b>IS</b>	Icelandic	3453
<b>is</b>	Icelandic	3453
<b>IT</b>	Italian	3453
<b>it</b>	Italian	3453
<b>IU</b>	Inuktitut	3453
<b>iu</b>	Inuktitut	3453
<b>JA</b>	Japanese	3453
<b>ja</b>	Japanese	3453
<b>JV</b>	Javanese	3453
<b>jv</b>	Javanese	3453
<b>JW</b>	Javanese	3453
<b>jw</b>	Javanese	3453
<b>KA</b>	Georgian	3453
<b>ka</b>	Georgian	3453

## Applicable codes

Code	Name/description	Code list
<b>KG</b>	Kongo	3453
<b>kg</b>	Kongo	3453
<b>KI</b>	Kikuyu; Gikuyu	3453
<b>ki</b>	Kikuyu; Gikuyu	3453
<b>KJ</b>	Kuanyama; Kwanyama	3453
<b>kj</b>	Kuanyama; Kwanyama	3453
<b>KK</b>	Kazakh	3453
<b>kk</b>	Kazakh	3453
<b>KL</b>	Kalaallisut; Greenlandic	3453
<b>kl</b>	Kalaallisut; Greenlandic	3453
<b>KM</b>	Central Khmer	3453
<b>km</b>	Central Khmer	3453
<b>KN</b>	Kannada	3453
<b>kn</b>	Kannada	3453
<b>KO</b>	Korean	3453
<b>ko</b>	Korean	3453
<b>KR</b>	Kanuri	3453
<b>kr</b>	Kanuri	3453
<b>KS</b>	Kashmiri	3453
<b>ks</b>	Kashmiri	3453
<b>KU</b>	Kurdish	3453
<b>ku</b>	Kurdish	3453
<b>KV</b>	Komi	3453
<b>kv</b>	Komi	3453
<b>KW</b>	Cornish	3453
<b>kw</b>	Cornish	3453
<b>KY</b>	Kirghiz; Kyrgyz	3453
<b>ky</b>	Kirghiz; Kyrgyz	3453
<b>LA</b>	Latin	3453
<b>la</b>	Latin	3453
<b>LB</b>	Luxembourgish; Letzeburgesch	3453
<b>lb</b>	Luxembourgish; Letzeburgesch	3453
<b>LG</b>	Ganda	3453
<b>lg</b>	Ganda	3453
<b>LI</b>	Limburgan; Limburger; Limburgish	3453
<b>li</b>	Limburgan; Limburger; Limburgish	3453
<b>LN</b>	Lingala	3453
<b>ln</b>	Lingala	3453
<b>LO</b>	Lao	3453
<b>lo</b>	Lao	3453
<b>LT</b>	Lithuanian	3453
<b>lt</b>	Lithuanian	3453
<b>LU</b>	Luba-Katanga	3453
<b>lu</b>	Luba-Katanga	3453
<b>LV</b>	Latvian	3453
<b>lv</b>	Latvian	3453
<b>MG</b>	Malagasy	3453
<b>mg</b>	Malagasy	3453
<b>MH</b>	Marshallese	3453
<b>mh</b>	Marshallese	3453
<b>MI</b>	Maori	3453
<b>mi</b>	Maori	3453
<b>MK</b>	Macedonian	3453
<b>mk</b>	Macedonian	3453
<b>ML</b>	Malayalam	3453

## Applicable codes

Code	Name/description	Code list
<b>ml</b>	Malayalam	3453
<b>MN</b>	Mongolian	3453
<b>mn</b>	Mongolian	3453
<b>MO</b>	Moldavian; Moldovan	3453
<b>mo</b>	Moldavian; Moldovan	3453
<b>MR</b>	Marathi	3453
<b>mr</b>	Marathi	3453
<b>MS</b>	Malay	3453
<b>ms</b>	Malay	3453
<b>MT</b>	Maltese	3453
<b>mt</b>	Maltese	3453
<b>MY</b>	Burmese	3453
<b>my</b>	Burmese	3453
<b>NA</b>	Nauru	3453
<b>na</b>	Nauru	3453
<b>NB</b>	Bokmal Norwegian; Norwegian Bokmal	3453
<b>nb</b>	Bokmal Norwegian; Norwegian Bokmal	3453
<b>ND</b>	Ndebele; North; North Ndebele	3453
<b>nd</b>	Ndebele; North; North Ndebele	3453
<b>NE</b>	Nepali	3453
<b>ne</b>	Nepali	3453
<b>NG</b>	Ndonga	3453
<b>ng</b>	Ndonga	3453
<b>NL</b>	Dutch; Flemish	3453
<b>nl</b>	Dutch; Flemish	3453
<b>NN</b>	Norwegian Nynorsk; Nynorsk, Norwegian	3453
<b>nn</b>	Norwegian Nynorsk; Nynorsk, Norwegian	3453
<b>NO</b>	Norwegian	3453
<b>no</b>	Norwegian	3453
<b>NR</b>	Ndebele; South; South Ndebele	3453
<b>nr</b>	Ndebele; South; South Ndebele	3453
<b>NV</b>	Navajo; Navaho	3453
<b>nv</b>	Navajo; Navaho	3453
<b>NY</b>	Chichewa; Chewa; Nyanja	3453
<b>ny</b>	Chichewa; Chewa; Nyanja	3453
<b>OC</b>	Occitan (post 1500)	3453
<b>oc</b>	Occitan (post 1500)	3453
<b>OJ</b>	Ojibwa	3453
<b>oj</b>	Ojibwa	3453
<b>OM</b>	Oromo	3453
<b>om</b>	Oromo	3453
<b>OR</b>	Oriya	3453
<b>or</b>	Oriya	3453
<b>OS</b>	Ossetian; Ossetic	3453
<b>os</b>	Ossetian; Ossetic	3453
<b>PA</b>	Panjabi; Punjabi	3453
<b>pa</b>	Panjabi; Punjabi	3453
<b>PI</b>	Pali	3453
<b>pi</b>	Pali	3453
<b>PL</b>	Polish	3453
<b>pl</b>	Polish	3453
<b>PS</b>	Pushto; Pashto	3453
<b>ps</b>	Pushto; Pashto	3453
<b>PT</b>	Portuguese	3453
<b>pt</b>	Portuguese	3453

## Applicable codes

Code	Name/description	Code list
<b>QU</b>	Quechua	3453
<b>qu</b>	Quechua	3453
<b>RM</b>	Romansh	3453
<b>rm</b>	Romansh	3453
<b>RN</b>	Rundi	3453
<b>rn</b>	Rundi	3453
<b>RO</b>	Romanian	3453
<b>ro</b>	Romanian	3453
<b>RU</b>	Russian	3453
<b>ru</b>	Russian	3453
<b>RW</b>	Kinyarwanda	3453
<b>rw</b>	Kinyarwanda	3453
<b>SA</b>	Sanskrit	3453
<b>sa</b>	Sanskrit	3453
<b>SC</b>	Sardinian	3453
<b>sc</b>	Sardinian	3453
<b>SD</b>	Sindhi	3453
<b>sd</b>	Sindhi	3453
<b>SE</b>	Northern Sami	3453
<b>se</b>	Northern Sami	3453
<b>SG</b>	Sango	3453
<b>sg</b>	Sango	3453
<b>SH</b>	Serbo-Croatian	3453
<b>sh</b>	Serbo-Croatian	3453
<b>SI</b>	Sinhala; Sinhalese	3453
<b>si</b>	Sinhala; Sinhalese	3453
<b>SK</b>	Slovak	3453
<b>sk</b>	Slovak	3453
<b>SL</b>	Slovenian	3453
<b>sl</b>	Slovenian	3453
<b>SM</b>	Samoan	3453
<b>sm</b>	Samoan	3453
<b>SN</b>	Shona	3453
<b>sn</b>	Shona	3453
<b>SO</b>	Somali	3453
<b>so</b>	Somali	3453
<b>SQ</b>	Albanian	3453
<b>sq</b>	Albanian	3453
<b>SR</b>	Serbian	3453
<b>sr</b>	Serbian	3453
<b>SS</b>	Swati	3453
<b>ss</b>	Swati	3453
<b>ST</b>	Sotho, Southern	3453
<b>st</b>	Sotho, Southern	3453
<b>SU</b>	Sundanese	3453
<b>su</b>	Sundanese	3453
<b>SV</b>	Swedish	3453
<b>sv</b>	Swedish	3453
<b>SW</b>	Swahili	3453
<b>sw</b>	Swahili	3453
<b>TA</b>	Tamil	3453
<b>ta</b>	Tamil	3453
<b>TE</b>	Telugu	3453
<b>te</b>	Telugu	3453
<b>TG</b>	Tajik	3453

## Applicable codes

Code	Name/description	Code list
<b>tg</b>	Tajik	3453
<b>TH</b>	Thai	3453
<b>th</b>	Thai	3453
<b>TI</b>	Tigrinya	3453
<b>ti</b>	Tigrinya	3453
<b>TK</b>	Turkmen	3453
<b>tk</b>	Turkmen	3453
<b>TL</b>	Tagalog	3453
<b>tl</b>	Tagalog	3453
<b>TN</b>	Tswana	3453
<b>tn</b>	Tswana	3453
<b>TO</b>	Tonga (Tonga Islands)	3453
<b>to</b>	Tonga (Tonga Islands)	3453
<b>TR</b>	Turkish	3453
<b>tr</b>	Turkish	3453
<b>TS</b>	Tsonga	3453
<b>ts</b>	Tsonga	3453
<b>TT</b>	Tatar	3453
<b>tt</b>	Tatar	3453
<b>TW</b>	Twi	3453
<b>tw</b>	Twi	3453
<b>TY</b>	Tahitian	3453
<b>ty</b>	Tahitian	3453
<b>UG</b>	Uighur; Uyghur	3453
<b>ug</b>	Uighur; Uyghur	3453
<b>UK</b>	Ukrainian	3453
<b>uk</b>	Ukrainian	3453
<b>UR</b>	Urdu	3453
<b>ur</b>	Urdu	3453
<b>UZ</b>	Uzbek	3453
<b>uz</b>	Uzbek	3453
<b>VE</b>	Venda	3453
<b>ve</b>	Venda	3453
<b>VI</b>	Vietnamese	3453
<b>vi</b>	Vietnamese	3453
<b>VO</b>	Volapük	3453
<b>vo</b>	Volapük	3453
<b>WA</b>	Walloon	3453
<b>wa</b>	Walloon	3453
<b>WO</b>	Wolof	3453
<b>wo</b>	Wolof	3453
<b>XH</b>	Xhosa	3453
<b>xh</b>	Xhosa	3453
<b>YI</b>	Yiddish	3453
<b>yi</b>	Yiddish	3453
<b>YO</b>	Yoruba	3453
<b>yo</b>	Yoruba	3453
<b>ZA</b>	Zhuang; Chuang	3453
<b>za</b>	Zhuang; Chuang	3453
<b>ZH</b>	Chinese	3453
<b>zh</b>	Chinese	3453
<b>ZU</b>	Zulu	3453
<b>zu</b>	Zulu	3453

**4347** Product identifier code qualifier

## Applicable codes

Code	Name/description	Code list
<b>1</b>	Additional identification	4347
<b>4441</b>	<b>Remark for wrongly received packages, coded</b>	
Code	Name/description	Code list
-	No restrictions for the transport of dangerous goods	4441
<b>B</b>	Passage forbidden through tunnels of category B, C, D and E	4441
<b>B/D</b>	Passage forbidden through tunnels of category B and C when carried in tanks; Passage forbidden through tunnels of category D and E	4441
<b>B/E</b>	Passage forbidden through tunnels of category B, C and D when carried in tanks; Passage forbidden through tunnels of category E	4441
<b>B1000C</b>	Passage forbidden through tunnels of category B when the total net explosive mass per transport unit is greater than 1000 kg Passage forbidden through tunnels of category C, D and E	4441
<b>C</b>	Passage forbidden through tunnels of category C, D and E	4441
<b>C/D</b>	Passage forbidden through tunnels of category C when carried in tanks: Passage forbidden through tunnels of category D and E	4441
<b>C/E</b>	Passage forbidden through tunnels of category C and D when carried in tanks; Passage forbidden through tunnels of category E	4441
<b>C5000D</b>	Passage forbidden through tunnels of category C when the total net explosive mass per transport unit is greater than 5000 kg; Passage forbidden through tunnels of category D and E	4441
<b>D</b>	Passage forbidden through tunnels of category D and E	4441
<b>D/E</b>	Passage forbidden through tunnels of category D when carried in bulk or in tanks; Passage forbidden through tunnels of category E	4441
<b>E</b>	Passage forbidden through tunnels of category E	4441
<b>4451</b>	<b>Text subject code qualifier</b>	
Code	Name/description	Code list
<b>ABO</b>	Discrepancy information	4451
<b>6063</b>	<b>Quantity type code qualifier</b>	
Code	Name/description	Code list
<b>X1</b>	Soiled quantity, not accepted, to be returned	ODDC155(1)
<b>48</b>	Received quantity	6063
<b>66</b>	Committed quantity	6063
<b>96</b>	Quality control failed	6063
<b>119</b>	Short shipped	6063
<b>121</b>	Over shipped	6063
<b>124</b>	Damaged goods	6063
<b>194</b>	Received and accepted	6063
<b>195</b>	Received, not accepted, to be returned	6063
<b>6069</b>	<b>Control total type code qualifier</b>	
Code	Name/description	Code list
<b>2</b>	Number of line items in message	6069
<b>7064</b>	<b>Type of packages</b>	
Code	Name/description	Code list
<b>080607</b>	VDA GLT 800 x 600 x 700	7064
<b>121010</b>	VDA GLT 1200 x 1000 x 975	7064
<b>0000BEH</b>	sonst. Flüssigkeitsbehälter, Gebinde, Kanister, Hobbock, Tank, Container, nicht näher spezifiziert	7064
<b>0000BLE</b>	Sheet metal packaging, sheet metal coils, not specified	7064
<b>0000BUN</b>	Bunches, not specified	7064
<b>0000FAS</b>	Barrel, not specified	7064
<b>0000LOS</b>	Loose material (unpacked)	7064
<b>0000PAL</b>	120 x 80 cm, palette until 15 cm high	7064
<b>0000SAC</b>	Bag, not specified	7064
<b>0000SCH</b>	Box, case, package, not specified	7064



## Applicable codes

Code	Name/description	Code list
<b>0000SON</b>	Additional packages, not specified	7064
<b>0000UMR</b>	Hoop, tightening strap, not specified	7064
<b>0001PAL</b>	120 x 80 cm, until 50 cm high	7064
<b>0001SCH</b>	Box, case, package: Dimension until 30 x 20 x 14 cm	7064
<b>0001SON</b>	Additional packages > 1 cbm, not specified	7064
<b>0002PAL</b>	120 x 80 cm, palette until 100 cm high	7064
<b>0002SCH</b>	Box, case, package: Dimension until 30 x 20 x 28 cm	7064
<b>0002SON</b>	Additional packages < 1 cbm, not specified	7064
<b>0003PAL</b>	120 x 80 cm, palette until 150 cm high	7064
<b>0003SCH</b>	Box, case, package: Dimension until 40 x 30 x 14 cm	7064
<b>0004PAL</b>	120 x 80 cm, palette until 200 cm high	7064
<b>0004SCH</b>	Box, case, package: Dimension until 40 x 20 x 28 cm	7064
<b>0005PAL</b>	120 x 100 cm, palette until 50 cm high	7064
<b>0005SCH</b>	Box, case, package: Dimension until 50 x 30 x 20 cm	7064
<b>0006PAL</b>	120 x 100 cm, palette until 100 cm high	7064
<b>0006SCH</b>	Box, case, package: Dimension until 50 x 50 x 50 cm	7064
<b>0007PAL</b>	120 x 100 cm, palette until 150 cm high	7064
<b>0007SCH</b>	Box, case, package: Dimension until 58 x 48 x 36 cm	7064
<b>0008PAL</b>	120 x 100 cm, palette until 200 cm high	7064
<b>0008SCH</b>	Box, case, package: Dimension until 60 x 40 x 14 cm	7064
<b>0009PAL</b>	Palette: 120 x 100 cm, Flachpalette bis 15 cm Höhe	7064
<b>0009SCH</b>	Box, case, package: Dimension until 60 x 40 x 28 cm	7064
<b>0010PAL</b>	Palette 160 x 120 x 15 cm	7064
<b>0010SCH</b>	Box, case, package: Dimension until 80 x 60 x 40 cm	7064
<b>0011SCH</b>	Box, case, package: Dimension until 98 x 58 x 36 cm	7064
<b>0012SCH</b>	Box, case, package: Dimension until 100 x 60 x 73 cm	7064
<b>0013SCH</b>	Box, case, package: Dimension until 120 x 78 x 110 cm	7064
<b>0014SCH</b>	Box, case, package: Dimension until 120 x 80 x 40 cm	7064
<b>0015SCH</b>	Box, case, package: Dimension until 120 x 80 x 90 cm	7064
<b>0016SCH</b>	Box, case, package: Dimension until 120 x 100 x 90 cm	7064
<b>0017SCH</b>	Schachtel, Kiste, Paket: Abmessung bis 160 x 120 x 90 cm	7064
<b>12081A</b>	VDA KLT Ladeeinheit Abschlussdeckel 1200 x 800 x 84	7064
<b>12081AE</b>	VDA KLT Ladeeinheit Abschlussdeckel 1200 x 800 x 84	7064
<b>1208A</b>	VDA KLT Ladeeinheit Abschlussdeckel 1200 x 800 x 94	7064
<b>1208SP</b>	VDA KLT Sicherungsplatte für Palette 1200 x 800	7064
<b>1210A</b>	VDA KLT Ladeeinheit Abschlussdeckel 1200 x 1000 x 94	7064
<b>1210AE</b>	VDA KLT Ladeeinheit Abschlussdeckel 1200 x 1000 x 94	7064
<b>13L</b>	EWPS Zwischenlage 13 Zoll beschichtet	7064
<b>13S</b>	EWPS Zwischenlage 13 Zoll unbeschichtet	7064
<b>14L</b>	EWPS Zwischenlage 14 Zoll beschichtet	7064
<b>14S</b>	EWPS Zwischenlage 14 Zoll unbeschichtet	7064
<b>15L</b>	EWPS Zwischenlage 15 Zoll beschichtet	7064
<b>15S</b>	EWPS Zwischenlage 15 Zoll unbeschichtet	7064
<b>16L</b>	EWPS Zwischenlage 16 Zoll beschichtet	7064
<b>16S</b>	EWPS Zwischenlage 16 Zoll unbeschichtet	7064
<b>175S</b>	EWPS Zwischenlage 17.5 Zoll unbeschichtet	7064
<b>175SDC</b>	EWPS Zwischenlage 17.5 Zoll unbeschichtet Steilschulter	7064
<b>17L</b>	EWPS Zwischenlage 17 Zoll beschichtet	7064
<b>17S</b>	EWPS Zwischenlage 17 Zoll unbeschichtet	7064
<b>18L</b>	EWPS Zwischenlage 18 Zoll beschichtet	7064
<b>18S</b>	EWPS Zwischenlage 18 Zoll unbeschichtet	7064
<b>195SDC</b>	EWPS Zwischenlage 19.5 Zoll unbeschichtet Steilschulter	7064
<b>19L</b>	EWPS Zwischenlage 19 Zoll beschichtet	7064
<b>19S</b>	EWPS Zwischenlage 19 Zoll unbeschichtet	7064
<b>1BP</b>	EWPS Grundpalette Größe 1	7064

## Applicable codes

Code	Name/description	Code list
<b>1TP</b>	EWPS Abschlussrahmen Größe 1	7064
<b>20L</b>	EWPS Zwischenlage 20 Zoll beschichtet	7064
<b>20S</b>	EWPS Zwischenlage 20 Zoll unbeschichtet	7064
<b>20STBS</b>	EWPS Zwischenlage 20 Zoll unbeschichtet Schrägschulter	7064
<b>21L</b>	EWPS Zwischenlage 21 Zoll beschichtet	7064
<b>21S</b>	EWPS Zwischenlage 21 Zoll unbeschichtet	7064
<b>225SDC</b>	EWPS Zwischenlage 22.5 Zoll unbeschichtet Steilschulter	7064
<b>22L</b>	EWPS Zwischenlage 22 Zoll beschichtet	7064
<b>22S</b>	EWPS Zwischenlage 22 Zoll unbeschichtet	7064
<b>2BP</b>	EWPS Grundpalette Größe 2	7064
<b>2TP</b>	EWPS Abschlussrahmen Größe 2	7064
<b>3115RE</b>	VDA R KLT ESD300 x 200 x 147	7064
<b>3115RLE</b>	VDA RL KLT ESD 300 x 200 x 147	7064
<b>3147RL</b>	VDA RL KLT 300 x 200 x 147	7064
<b>31DE</b>	VDA KLT Deckel ESD 300 x 200	7064
<b>3214C</b>	VDA C KLT 300 x 200 x 147	7064
<b>3215R</b>	VDA R KLT 300 x 200 x 147	7064
<b>3217C</b>	VDA C KLT 300 x 200 x 174	7064
<b>35D</b>	VDA KLT Deckel 300 x 200	7064
<b>3715RF</b>	VDA R KLT 300 x 200 x 147 mit RFID (Retrofit)	7064
<b>3747RLF</b>	VDA RL KLT 300 x 200 x 147 mit RFID (Retrofit)	7064
<b>3BP</b>	EWPS Grundpalette Größe 3	7064
<b>3TP</b>	EWPS Abschlussrahmen Größe 3	7064
<b>4047RLE</b>	VDA RL KLT ESD 400 x 300 x 147	7064
<b>4080RLE</b>	VDA RL KLT ESD 400 x 300 x 280	7064
<b>4115RE</b>	VDA R KLT ESD 400 x 300 x 147	7064
<b>4129RE</b>	VDA R KLT ESD 400 x 300 x 280	7064
<b>4147RL</b>	VDA RL KLT 400 x 300 x 147	7064
<b>41DE</b>	VDA KLT Deckel ESD 400 x 300	7064
<b>4280RL</b>	VDA RL KLT 400 x 300 x 280	7064
<b>4314C</b>	VDA C KLT 400 x 300 x 147	7064
<b>4315R</b>	VDA R KLT 400 x 300 x 147	7064
<b>4317C</b>	VDA C KLT 400 x 300 x 174	7064
<b>4321C</b>	VDA C KLT 400 x 300 x 214	7064
<b>4328C</b>	VDA C KLT 400 x 300 x 280	7064
<b>4329R</b>	VDA R KLT 400 x 300 x 280	7064
<b>45D</b>	VDA KLT Deckel 400 x 300	7064
<b>4713RLF</b>	VDA RL KLT 400 x 300 x 213 mit RFID (Retrofit)	7064
<b>4715RF</b>	VDA R KLT 400 x 300 x 147 mit RFID (Retrofit)	7064
<b>4722RF</b>	VDA R KLT 400 x 300 x 213 mit RFID (Retrofit)	7064
<b>4729RF</b>	VDA R KLT 400 x 300 x 280 mit RFID (Retrofit)	7064
<b>4747RLF</b>	VDA RL KLT 400 x 300 x 147 mit RFID (Retrofit)	7064
<b>4780RLF</b>	VDA RL KLT 400 x 300 x 280 mit RFID (Retrofit)	7064
<b>4BP</b>	EWPS Grundpalette Größe 4	7064
<b>4TP</b>	EWPS Abschlussrahmen Größe 4	7064
<b>6047RLE</b>	VDA RL KLT ESD 600 x 400 x 147	7064
<b>6080RLE</b>	VDA RL KLT ESD 600 x 400 x 280	7064
<b>6115RE</b>	VDA R KLT ESD 600 x 400 x 147	7064
<b>6129RE</b>	VDA R KLT ESD 600 x 400 x 280	7064
<b>6147RL</b>	VDA RL KLT 600 x 400 x 147	7064
<b>61DE</b>	VDA KLT Deckel ESD 600 x 400	7064
<b>6280RL</b>	VDA RL KLT 600 x 400 x 280	7064
<b>6410F</b>	VDA F KLT 600 x 400 x 280 (94.5)	7064
<b>6414C</b>	VDA C KLT 600 x 400 x 147	7064
<b>6415R</b>	VDA R KLT 600 x 400 x 147	7064

## Applicable codes

Code	Name/description	Code list
<b>6417C</b>	VDA C KLT 600 x 400 x 174	7064
<b>6421C</b>	VDA C KLT 600 x 400 x 214	7064
<b>6428C</b>	VDA C KLT 600 x 400 x 280	7064
<b>6429R</b>	VDA R KLT 600 x 400 x 280	7064
<b>65D</b>	VDA KLT Deckel 600 x 400	7064
<b>6713RLF</b>	VDA RL KLT 600 x 400 x 213 mit RFID (Retrofit)	7064
<b>6715RF</b>	VDA R KLT 600 x 400 x 147 mit RFID (Retrofit)	7064
<b>6722RF</b>	VDA R KLT 600 x 400 x 213 mit RFID (Retrofit)	7064
<b>6729RF</b>	VDA R KLT 600 x 400 x 280 with RFID (Retrofit)	7064
<b>6747RLF</b>	VDA RL KLT 600 x 400 x 147 mit RFID (Retrofit)	7064
<b>6780RLF</b>	VDA RL KLT 600 x 400 x 280 mit RFID (Retrofit)	7064
<b>COPACK</b>	Virtuelle Verpackung	7064
<b>UNPACKD</b>	unverpackte Ware (lose oder Schüttgut)	7064
<b>7065</b>	<b>Package type code (bundle or transport packaging unit), assigned by the provider of the empty packaging.</b>	
Code	Name/description	Code list
<b>43</b>	Bag, super bulk	7065
<b>44</b>	Bag, polybag	7065
<b>1A</b>	Drum, steel	7065
<b>1B</b>	Drum, aluminium	7065
<b>1D</b>	Drum, plywood	7065
<b>1F</b>	Container, flexible	7065
<b>1G</b>	Drum, fibre	7065
<b>1W</b>	Drum, wooden	7065
<b>2C</b>	Barrel, wooden	7065
<b>3A</b>	Jerrican, steel	7065
<b>3H</b>	Jerrican, plastic	7065
<b>4A</b>	Box, steel	7065
<b>4B</b>	Box, aluminium	7065
<b>4C</b>	Box, natural wood	7065
<b>4D</b>	Box, plywood	7065
<b>4F</b>	Box, reconstituted wood	7065
<b>4G</b>	Box, fibreboard	7065
<b>4H</b>	Box, plastic	7065
<b>5H</b>	Bag, woven plastic	7065
<b>5L</b>	Bag, textile	7065
<b>5M</b>	Bag, paper	7065
<b>6H</b>	Composite packaging, plastic receptacle	7065
<b>6P</b>	Composite packaging, glass receptacle	7065
<b>7A</b>	Case, car	7065
<b>7B</b>	Case, wooden	7065
<b>8A</b>	Pallet, wooden	7065
<b>8B</b>	Crate, wooden	7065
<b>8C</b>	Bundle, wooden	7065
<b>AA</b>	Intermediate bulk container, rigid plastic	7065
<b>AB</b>	Receptacle, fibre	7065
<b>AC</b>	Receptacle, paper	7065
<b>AD</b>	Receptacle, wooden	7065
<b>AE</b>	Aerosol	7065
<b>AF</b>	Pallet, modular, collars 80cms x 60cms	7065
<b>AG</b>	Pallet, shrinkwrapped	7065
<b>AH</b>	Pallet, 100cms x 110cms	7065

## Applicable codes

Code	Name/description	Code list
AI	Clamshell	7065
AJ	Cone	7065
AL	Ball	7065
AM	Ampoule, non-protected	7065
AP	Ampoule, protected	7065
AT	Atomizer	7065
AV	Capsule	7065
B4	Belt	7065
BA	Barrel	7065
BB	Bobbin	7065
BC	Bottlecrate / bottlerack	7065
BD	Board	7065
BE	Bundle	7065
BF	Balloon, non-protected	7065
BG	Bag	7065
BH	Bunch	7065
BI	Bin	7065
BJ	Bucket	7065
BK	Basket	7065
BL	Bale, compressed	7065
BM	Basin	7065
BN	Bale, non-compressed	7065
BO	Bottle, non-protected, cylindrical	7065
BP	Balloon, protected	7065
BQ	Bottle, protected cylindrical	7065
BR	Bar	7065
BS	Bottle, non-protected, bulbous	7065
BT	Bolt	7065
BU	Butt	7065
BV	Bottle, protected bulbous	7065
BW	Box, for liquids	7065
BX	Box	7065
BY	Board, in bundle/bunch/truss	7065
BZ	Bars, in bundle/bunch/truss	7065
CA	Can, rectangular	7065
CB	Crate, beer	7065
CC	Churn	7065
CD	Can, with handle and spout	7065
CE	Creel	7065
CF	Coffer	7065
CG	Cage	7065
CH	Chest	7065
CI	Canister	7065
CJ	Coffin	7065
CK	Cask	7065
CL	Coil	7065
CM	Card	7065
CN	Container, not otherwise specified as transport equipment	7065
CO	Carboy, non-protected	7065
CP	Carboy, protected	7065
CQ	Cartridge	7065
CR	Crate	7065
CS	Case	7065
CT	Carton	7065
CU	Cup	7065

## Applicable codes

Code	Name/description	Code list
<b>CV</b>	Cover	7065
<b>CW</b>	Cage, roll	7065
<b>CX</b>	Can, cylindrical	7065
<b>CY</b>	Cylinder	7065
<b>CZ</b>	Canvas	7065
<b>DA</b>	Crate, multiple layer, plastic	7065
<b>DB</b>	Crate, multiple layer, wooden	7065
<b>DC</b>	Crate, multiple layer, cardboard	7065
<b>DG</b>	Cage, Commonwealth Handling Equipment Pool (CHEP)	7065
<b>DH</b>	Box, Commonwealth Handling Equipment Pool (CHEP), Eurobox	7065
<b>DI</b>	Drum, iron	7065
<b>DJ</b>	Demijohn, non-protected	7065
<b>DK</b>	Crate, bulk, cardboard	7065
<b>DL</b>	Crate, bulk, plastic	7065
<b>DM</b>	Crate, bulk, wooden	7065
<b>DN</b>	Dispenser	7065
<b>DP</b>	Demijohn, protected	7065
<b>DR</b>	Drum	7065
<b>DS</b>	Tray, one layer no cover, plastic	7065
<b>DT</b>	Tray, one layer no cover, wooden	7065
<b>DU</b>	Tray, one layer no cover, polystyrene	7065
<b>DV</b>	Tray, one layer no cover, cardboard	7065
<b>DW</b>	Tray, two layers no cover, plastic tray	7065
<b>DX</b>	Tray, two layers no cover, wooden	7065
<b>DY</b>	Tray, two layers no cover, cardboard	7065
<b>EC</b>	Bag, plastic	7065
<b>ED</b>	Case, with pallet base	7065
<b>EE</b>	Case, with pallet base, wooden	7065
<b>EF</b>	Case, with pallet base, cardboard	7065
<b>EG</b>	Case, with pallet base, plastic	7065
<b>EH</b>	Case, with pallet base, metal	7065
<b>EI</b>	Case, isothermic	7065
<b>EN</b>	Envelope	7065
<b>FB</b>	Flexibag	7065
<b>FC</b>	Crate, fruit	7065
<b>FD</b>	Crate, framed	7065
<b>FE</b>	Flexitank	7065
<b>FI</b>	Firkin	7065
<b>FL</b>	Flask	7065
<b>FO</b>	Footlocker	7065
<b>FP</b>	Filmpack	7065
<b>FR</b>	Frame	7065
<b>FT</b>	Foodtainer	7065
<b>FW</b>	Cart, flatbed	7065
<b>FX</b>	Bag, flexible container	7065
<b>GB</b>	Bottle, gas	7065
<b>GI</b>	Girder	7065
<b>GL</b>	Container, gallon	7065
<b>GR</b>	Receptacle, glass	7065
<b>GU</b>	Tray, containing horizontally stacked flat items	7065
<b>GY</b>	Bag, gunny	7065
<b>GZ</b>	Girders, in bundle/bunch/truss	7065
<b>HA</b>	Basket, with handle, plastic	7065
<b>HB</b>	Basket, with handle, wooden	7065
<b>HC</b>	Basket, with handle, cardboard	7065

## Applicable codes

Code	Name/description	Code list
<b>HG</b>	Hogshead	7065
<b>HN</b>	Hanger	7065
<b>HR</b>	Hamper	7065
<b>IA</b>	Package, display, wooden	7065
<b>IB</b>	Package, display, cardboard	7065
<b>IC</b>	Package, display, plastic	7065
<b>ID</b>	Package, display, metal	7065
<b>IE</b>	Package, show	7065
<b>IF</b>	Package, flow	7065
<b>IG</b>	Package, paper wrapped	7065
<b>IH</b>	Drum, plastic	7065
<b>IK</b>	Package, cardboard, with bottle grip-holes	7065
<b>IL</b>	Tray, rigid, lidded stackable (CEN TS 14482:2002)	7065
<b>IN</b>	Ingot	7065
<b>IZ</b>	Ingots, in bundle/bunch/truss	7065
<b>JB</b>	Bag, jumbo	7065
<b>JC</b>	Jerrican, rectangular	7065
<b>JG</b>	Jug	7065
<b>JR</b>	Jar	7065
<b>JT</b>	Jutebag	7065
<b>JY</b>	Jerrican, cylindrical	7065
<b>KG</b>	Keg	7065
<b>KI</b>	Kit	7065
<b>LE</b>	Luggage	7065
<b>LG</b>	Log	7065
<b>LT</b>	Lot	7065
<b>LU</b>	Lug	7065
<b>LV</b>	Liftvan	7065
<b>LZ</b>	Logs, in bundle/bunch/truss	7065
<b>MA</b>	Crate, metal	7065
<b>MB</b>	Bag, multiply	7065
<b>MC</b>	Crate, milk	7065
<b>ME</b>	Container, metal	7065
<b>MR</b>	Receptacle, metal	7065
<b>MS</b>	Sack, multi-wall	7065
<b>MT</b>	Mat	7065
<b>MW</b>	Receptacle, plastic wrapped	7065
<b>MX</b>	Matchbox	7065
<b>NA</b>	Not available	7065
<b>NE</b>	Unpacked or unpackaged	7065
<b>NF</b>	Unpacked or unpackaged, single unit	7065
<b>NG</b>	Unpacked or unpackaged, multiple units	7065
<b>NS</b>	Nest	7065
<b>NT</b>	Net	7065
<b>NU</b>	Net, tube, plastic	7065
<b>NV</b>	Net, tube, textile	7065
<b>OA</b>	Pallet, CHEP 40 cm x 60 cm	7065
<b>OB</b>	Pallet, CHEP 80 cm x 120 cm	7065
<b>OC</b>	Pallet, CHEP 100 cm x 120 cm	7065
<b>OD</b>	Pallet, AS 4068-1993	7065
<b>OE</b>	Pallet, ISO T11	7065
<b>OF</b>	Platform, unspecified weight or dimension	7065
<b>OK</b>	Block	7065
<b>OT</b>	Octabin	7065
<b>OU</b>	Container, outer	7065

## Applicable codes

Code	Name/description	Code list
P2	Pan	7065
PA	Packet	7065
PB	Pallet, box	7065
PC	Parcel	7065
PD	Pallet, modular, collars 80cms * 100cms	7065
PE	Pallet, modular, collars 80cms * 120cms	7065
PF	Pen	7065
PG	Plate	7065
PH	Pitcher	7065
PI	Pipe	7065
PJ	Punnet	7065
PK	Package	7065
PL	Pail	7065
PN	Plank	7065
PO	Pouch	7065
PP	Piece	7065
PR	Receptacle, plastic	7065
PT	Pot	7065
PU	Tray pack	7065
PV	Pipes, in bundle/bunch/truss	7065
PX	Pallet	7065
PY	Plates, in bundle/bunch/truss	7065
PZ	Planks, in bundle/bunch/truss	7065
QA	Drum, steel, non-removable head	7065
QB	Drum, steel, removable head	7065
QC	Drum, aluminium, non-removable head	7065
QD	Drum, aluminium, removable head	7065
QF	Drum, plastic, non-removable head	7065
QG	Drum, plastic, removable head	7065
QH	Barrel, wooden, bung type	7065
QJ	Barrel, wooden, removable head	7065
QK	Jerrican, steel, non-removable head	7065
QL	Jerrican, steel, removable head	7065
QM	Jerrican, plastic, non-removable head	7065
QN	Jerrican, plastic, removable head	7065
QP	Box, wooden, natural wood, ordinary	7065
QQ	Box, wooden, natural wood, with sift proof walls	7065
QR	Box, plastic, expanded	7065
QS	Box, plastic, solid	7065
RD	Rod	7065
RG	Ring	7065
RJ	Rack, clothing hanger	7065
RK	Rack	7065
RL	Reel	7065
RO	Roll	7065
RT	Rednet	7065
RZ	Rods, in bundle/bunch/truss	7065
SA	Sack	7065
SB	Slab	7065
SC	Crate, shallow	7065
SD	Spindle	7065
SE	Sea-chest	7065
SH	Sachet	7065
SI	Skid	7065
SK	Case, skeleton	7065

## Applicable codes

Code	Name/description	Code list
SL	Slipsheet	7065
SM	Sheetmetal	7065
SO	Spool	7065
SP	Sheet, plastic wrapping	7065
SS	Case, steel	7065
ST	Sheet	7065
SU	Suitcase	7065
SV	Envelope, steel	7065
SW	Shrinkwrapped	7065
SX	Set	7065
SY	Sleeve	7065
SZ	Sheets, in bundle/bunch/truss	7065
T1	Tablet	7065
TB	Tub	7065
TC	Tea-chest	7065
TD	Tube, collapsible	7065
TE	Tyre	7065
TG	Tank container, generic	7065
TI	Tierce TI	7065
TK	Tank, rectangular	7065
TL	Tub, with lid	7065
TN	Tin	7065
TO	Tun	7065
TR	Trunk	7065
TS	Truss	7065
TT	Bag, tote	7065
TU	Tube	7065
TV	Tube, with nozzle	7065
TW	Pallet, triwall	7065
TY	Tank, cylindrical	7065
TZ	Tubes, in bundle/bunch/truss	7065
UC	Uncaged	7065
UN	Unit	7065
VA	Vat	7065
VG	Bulk, gas (at 1031 mbar and 15 degree C)	7065
VI	Vial	7065
VK	Vanpack	7065
VL	Bulk, liquid	7065
VN	Vehicle	7065
VO	Bulk, solid, large particles ("nodules")	7065
VP	Vacuum-packed	7065
VQ	Bulk, liquefied gas (at abnormal temperature/pressure)	7065
VR	Bulk, solid, granular particles ("grains")	7065
VS	Bulk, scrap metal	7065
VY	Bulk, solid, fine particles ("powders")	7065
WA	Intermediate bulk container	7065
WB	Wickerbottle	7065
WC	Intermediate bulk container, steel	7065
WD	Intermediate bulk container, aluminium	7065
WF	Intermediate bulk container, metal	7065
WG	Intermediate bulk container, steel, pressurised > 10 kpa	7065
WH	Intermediate bulk container, aluminium, pressurised > 10 kpa	7065
WJ	Intermediate bulk container, metal, pressure 10 kpa	7065
WK	Intermediate bulk container, steel, liquid	7065
WL	Intermediate bulk container, aluminium, liquid	7065



## Applicable codes

Code	Name/description	Code list
<b>WM</b>	Intermediate bulk container, metal, liquid	7065
<b>WN</b>	Intermediate bulk container, woven plastic, without coat/liner	7065
<b>WP</b>	Intermediate bulk container, woven plastic, coated	7065
<b>WQ</b>	Intermediate bulk container, woven plastic, with liner	7065
<b>WR</b>	Intermediate bulk container, woven plastic, coated and liner	7065
<b>WS</b>	Intermediate bulk container, plastic film	7065
<b>WT</b>	Intermediate bulk container, textile with out coat/liner	7065
<b>WU</b>	Intermediate bulk container, natural wood, with inner liner	7065
<b>WV</b>	Intermediate bulk container, textile, coated	7065
<b>WW</b>	Intermediate bulk container, textile, with liner	7065
<b>WX</b>	Intermediate bulk container, textile, coated and liner	7065
<b>WY</b>	Intermediate bulk container, plywood, with inner liner	7065
<b>WZ</b>	Intermediate bulk container, reconstituted wood, with inner liner	7065
<b>XA</b>	Bag, woven plastic, without inner coat/liner	7065
<b>XB</b>	Bag, woven plastic, sift proof	7065
<b>XC</b>	Bag, woven plastic, water resistant	7065
<b>XD</b>	Bag, plastics film	7065
<b>XF</b>	Bag, textile, without inner coat/liner	7065
<b>XG</b>	Bag, textile, sift proof	7065
<b>XH</b>	Bag, textile, water resistant	7065
<b>XJ</b>	Bag, paper, multi-wall	7065
<b>XK</b>	Bag, paper, multi-wall, water resistant	7065
<b>YA</b>	Composite packaging, plastic receptacle in steel drum	7065
<b>YB</b>	Composite packaging, plastic receptacle in steel crate box	7065
<b>YC</b>	Composite packaging, plastic receptacle in aluminium drum	7065
<b>YD</b>	Composite packaging, plastic receptacle in aluminium crate	7065
<b>YF</b>	Composite packaging, plastic receptacle in wooden box	7065
<b>YG</b>	Composite packaging, plastic receptacle in plywood drum	7065
<b>YH</b>	Composite packaging, plastic receptacle in plywood box	7065
<b>YJ</b>	Composite packaging, plastic receptacle in fibre drum	7065
<b>YK</b>	Composite packaging, plastic receptacle in fibreboard box	7065
<b>YL</b>	Composite packaging, plastic receptacle in plastic drum	7065
<b>YM</b>	Composite packaging, plastic receptacle in solid plastic box	7065
<b>YN</b>	Composite packaging, glass receptacle in steel drum	7065
<b>YP</b>	Composite packaging, glass receptacle in steel crate box	7065
<b>YQ</b>	Composite packaging, glass receptacle in aluminium drum	7065
<b>YR</b>	Composite packaging, glass receptacle in aluminium crate	7065
<b>YS</b>	Composite packaging, glass receptacle in wooden box	7065
<b>YT</b>	Composite packaging, glass receptacle in plywood drum	7065
<b>YV</b>	Composite packaging, glass receptacle in wickerwork hamper	7065
<b>YW</b>	Composite packaging, glass receptacle in fibre drum	7065
<b>YX</b>	Composite packaging, glass receptacle in fibreboard box	7065
<b>YY</b>	Composite packaging, glass receptacle in expandable plastic pack	7065
<b>YZ</b>	Composite packaging, glass receptacle in solid plastic pack	7065
<b>ZA</b>	Intermediate bulk container, paper, multi-wall	7065
<b>ZB</b>	Bag, large	7065
<b>ZC</b>	Intermediate bulk container, paper, multi-wall, water resistant	7065
<b>ZD</b>	Intermediate bulk container, rigid plastic, with structural equipment, solids	7065
<b>ZF</b>	Intermediate bulk container, rigid plastic, freestanding, solids	7065
<b>ZG</b>	Intermediate bulk container, rigid plastic, with structural equipment, pressurised	7065
<b>ZH</b>	Intermediate bulk container, rigid plastic, freestanding, pressurised	7065
<b>ZJ</b>	Intermediate bulk container, rigid plastic, with structural equipment, liquids	7065
<b>ZK</b>	Intermediate bulk container, rigid plastic, freestanding, liquids	7065
<b>ZL</b>	Intermediate bulk container, composite, rigid plastic, solids	7065
<b>ZM</b>	Intermediate bulk container, composite, flexible plastic, solids	7065

## Applicable codes

Code	Name/description	Code list
<b>ZN</b>	Intermediate bulk container, composite, rigid plastic, pressurised	7065
<b>ZP</b>	Intermediate bulk container, composite, flexible plastic, pressurised	7065
<b>ZQ</b>	Intermediate bulk container, composite, rigid plastic, liquids	7065
<b>ZR</b>	Intermediate bulk container, composite, flexible plastic, liquids	7065
<b>ZS</b>	Intermediate bulk container, composite	7065
<b>ZT</b>	Intermediate bulk container, fibreboard	7065
<b>ZU</b>	Intermediate bulk container, flexible	7065
<b>ZV</b>	Intermediate bulk container, metal, other than steel	7065
<b>ZW</b>	Intermediate bulk container, natural wood	7065
<b>ZX</b>	Intermediate bulk container, plywood	7065
<b>ZY</b>	Intermediate bulk container, reconstituted wood	7065
<b>ZZ</b>	Mutually defined	7065

### 7075 Packaging level code

Code	Name/description	Code list
<b>5</b>	Shipment level	7075

### 7077 Description format code

Code	Name/description	Code list
<b>B</b>	Code and text	7077
<b>S</b>	Structured (from industry code list)	7077

### 7081 Package Folded Indicator

Code	Name/description	Code list
<b>FO</b>	Empty container, folded	ODDC154(1)

### 7143 Item type identification code

Code	Name/description	Code list
<b>AA</b>	Product version number	ODDC101(1)
<b>AB</b>	Assembly	ODDC101(1)
<b>AC</b>	HIBC (Health Industry Bar Code)	ODDC101(1)
<b>AM</b>	UPC (Universal Product Code)/EAN (European article number) Shipping container code (1-2-5-5-1)	ODDC101(1)
<b>BH</b>	Part number	ODDC101(1)
<b>BL</b>	Control number	ODDC101(1)
<b>BO</b>	Buyer's colour	ODDC101(1)
<b>BP</b>	Buyer's part number	ODDC101(1)
<b>CC</b>	Industry commodity code	ODDC101(1)
<b>CG</b>	Commodity grouping	ODDC101(1)
<b>CL</b>	Colour number	ODDC101(1)
<b>CR</b>	Contract number	ODDC101(1)
<b>CV</b>	Customs article number	ODDC101(1)
<b>DR</b>	Drawing revision number	ODDC101(1)
<b>DW</b>	Drawing	ODDC101(1)
<b>EC</b>	Engineering change level	ODDC101(1)
<b>EF</b>	Material code	ODDC101(1)
<b>EN</b>	International Article Numbering Association (EAN)	ODDC101(1)
<b>GS</b>	General specification number	ODDC101(1)
<b>HS</b>	Harmonised system	ODDC101(1)
<b>IB</b>	ISBN (International Standard Book Number)	ODDC101(1)
<b>IN</b>	Buyer's item number	ODDC101(1)
<b>IS</b>	ISSN (International Standard Serial Number)	ODDC101(1)
<b>IT</b>	Buyer's style number	ODDC101(1)
<b>IZ</b>	Buyer's size code	ODDC101(1)
<b>MA</b>	Machine number	ODDC101(1)
<b>MF</b>	Manufacturer's (producer's) article number	ODDC101(1)

## Applicable codes

Code	Name/description	Code list
<b>MN</b>	Model number	ODDC101(1)
<b>MP</b>	Product/service identification number	ODDC101(1)
<b>NB</b>	Batch number	ODDC101(1)
<b>O91</b>	Assigned by the provider of the empty packaging	ODDC101(1)
<b>O92</b>	Assigned by the receiver of the empty packaging	ODDC101(1)
<b>ON</b>	Customer order number	ODDC101(1)
<b>PD</b>	Part number description	ODDC101(1)
<b>PL</b>	Purchaser's order line number	ODDC101(1)
<b>PO</b>	Purchase order number	ODDC101(1)
<b>PV</b>	Promotional variant number	ODDC101(1)
<b>QS</b>	Buyer's qualifier for size	ODDC101(1)
<b>RC</b>	Returnable container number	ODDC101(1)
<b>RN</b>	Release number	ODDC101(1)
<b>RU</b>	Run number	ODDC101(1)
<b>RY</b>	Record keeping of model year	ODDC101(1)
<b>SA</b>	Supplier's article number	ODDC101(1)
<b>SG</b>	Standard group of products (mixed assortment)	ODDC101(1)
<b>SK</b>	SKU (Stock keeping unit)	ODDC101(1)
<b>SN</b>	Serial number	ODDC101(1)
<b>SRS</b>	RSK number	ODDC101(1)
<b>SS</b>	Supplier's supplier article number	ODDC101(1)
<b>ST</b>	Style number	ODDC101(1)
<b>TG</b>	Transport group number	ODDC101(1)
<b>UA</b>	Ultimate customer's article number	ODDC101(1)
<b>V11</b>	Model type / Modelgroup	ODDC101(1)
<b>V12</b>	Model version	ODDC101(1)
<b>VN</b>	Vendor item number	ODDC101(1)
<b>VP</b>	Vendor's (seller's) part number	ODDC101(1)
<b>VS</b>	Vendor's supplemental item number	ODDC101(1)
<b>VX</b>	Vendor specification number	ODDC101(1)
<b>X1</b>	GALIA France Package Type Code	ODDC101(1)
<b>X2</b>	VDA Germany Package Type Code	ODDC101(1)
<b>X3</b>	Other third party Package Type Code	ODDC101(1)
<b>X4</b>	REESS - code (battery or battery component identification) according to Chinese requirements	ODDC101(1)
<b>ZZZ</b>	Mutually defined	ODDC101(1)
<b>AA</b>	Product version number	7143
<b>AB</b>	Assembly	7143
<b>AC</b>	HIBC (Health Industry Bar Code)	7143
<b>AD</b>	Cold roll number	7143
<b>AE</b>	Hot roll number	7143
<b>AF</b>	Slab number	7143
<b>AG</b>	Software revision number	7143
<b>AH</b>	UPC (Universal Product Code) Consumer package code (1-5-5)	7143
<b>AI</b>	UPC (Universal Product Code) Consumer package code (1-5-5- 1)	7143
<b>AJ</b>	Sample number	7143
<b>AK</b>	Pack number	7143
<b>AL</b>	UPC (Universal Product Code) Shipping container code (1-2- 5-5)	7143
<b>AM</b>	UPC (Universal Product Code)/EAN (European article number) Shipping container code (1-2-5-5-1)	7143
<b>AN</b>	UPC (Universal Product Code) suffix	7143
<b>AO</b>	State label code	7143
<b>AP</b>	Heat number	7143
<b>AQ</b>	Coupon number	7143
<b>AR</b>	Resource number	7143

## Applicable codes

Code	Name/description	Code list
AS	Work task number	7143
AT	Price look up number	7143
AU	NSN (North Atlantic Treaty Organization Stock Number)	7143
AV	Refined product code	7143
AW	Exhibit	7143
AX	End item	7143
AY	Federal supply classification	7143
AZ	Engineering data list	7143
BA	Milestone event number	7143
BB	Lot number	7143
BC	National drug code 4-4-2 format	7143
BD	National drug code 5-3-2 format	7143
BE	National drug code 5-4-1 format	7143
BF	National drug code 5-4-2 format	7143
BG	National drug code	7143
BH	Part number	7143
BI	Local Stock Number (LSN)	7143
BJ	Next higher assembly number	7143
BK	Data category	7143
BL	Control number	7143
BM	Special material identification code	7143
BN	Locally assigned control number	7143
BO	Buyer's colour	7143
BP	Buyer's part number	7143
BQ	Variable measure product code	7143
BR	Financial phase	7143
BS	Contract breakdown	7143
BT	Technical phase	7143
BU	Dye lot number	7143
BV	Daily statement of activities	7143
BW	Periodical statement of activities within a bilaterally agreed time period	7143
BX	Calendar week statement of activities	7143
BY	Calendar month statement of activities	7143
BZ	Original equipment number	7143
CC	Industry commodity code	7143
CG	Commodity grouping	7143
CL	Colour number	7143
CR	Contract number	7143
CV	Customs article number	7143
DR	Drawing revision number	7143
DW	Drawing	7143
EC	Engineering change level	7143
EF	Material code	7143
EN	International Article Numbering Association (EAN)	7143
FS	Fish species	7143
GB	Buyer's internal product group code	7143
GN	National product group code	7143
GS	General specification number	7143
HS	Harmonised system	7143
IB	ISBN (International Standard Book Number)	7143
IN	Buyer's item number	7143
IS	ISSN (International Standard Serial Number)	7143
IT	Buyer's style number	7143
IZ	Buyer's size code	7143
MA	Machine number	7143

## Applicable codes

Code	Name/description	Code list
<b>MF</b>	Manufacturer's (producer's) article number	7143
<b>MN</b>	Model number	7143
<b>MP</b>	Product/service identification number	7143
<b>NB</b>	Batch number	7143
<b>ON</b>	Customer order number	7143
<b>PD</b>	Part number description	7143
<b>PL</b>	Purchaser's order line number	7143
<b>PO</b>	Purchase order number	7143
<b>PV</b>	Promotional variant number	7143
<b>QS</b>	Buyer's qualifier for size	7143
<b>RC</b>	Returnable container number	7143
<b>RN</b>	Release number	7143
<b>RU</b>	Run number	7143
<b>RY</b>	Record keeping of model year	7143
<b>SA</b>	Supplier's article number	7143
<b>SG</b>	Standard group of products (mixed assortment)	7143
<b>SK</b>	SKU (Stock keeping unit)	7143
<b>SN</b>	Serial number	7143
<b>SRS</b>	RSK number	7143
<b>SRT</b>	IFLS (Institut Francais du Libre Service) 5 digit product classification code	7143
<b>SRU</b>	IFLS (Institut Francais du Libre Service) 9 digit product classification code	7143
<b>SRV</b>	GS1 Global Trade Item Number	7143
<b>SRW</b>	EDIS (Energy Data Identification System)	7143
<b>SRX</b>	Slaughter number	7143
<b>SRY</b>	Official animal number	7143
<b>SRZ</b>	Harmonized tariff schedule	7143
<b>SS</b>	Supplier's supplier article number	7143
<b>SSA</b>	46 Level DOT Code	7143
<b>SSB</b>	Airline Tariff 6D	7143
<b>SSC</b>	Title 49 Code of Federal Regulations	7143
<b>SSD</b>	International Civil Aviation Administration code	7143
<b>SSE</b>	Hazardous Materials ID DOT	7143
<b>SSF</b>	Endorsement	7143
<b>SSG</b>	Air Force Regulation 71-4	7143
<b>SSH</b>	Breed	7143
<b>SSI</b>	Chemical Abstract Service (CAS) registry number	7143
<b>SSJ</b>	Engine model designation	7143
<b>SSK</b>	Institutional Meat Purchase Specifications (IMPS) Number	7143
<b>SSL</b>	Price Look-Up code (PLU)	7143
<b>SSM</b>	International Maritime Organization (IMO) Code	7143
<b>SSN</b>	Bureau of Explosives 600-A (rail)	7143
<b>SSO</b>	United Nations Dangerous Goods List	7143
<b>SSP</b>	International Code of Botanical Nomenclature (ICBN)	7143
<b>SSQ</b>	International Code of Zoological Nomenclature (ICZN)	7143
<b>SSR</b>	International Code of Nomenclature for Cultivated Plants (ICNCP)	7143
<b>SSS</b>	Distributor's article identifier	7143
<b>SST</b>	Norwegian Classification system ENVA	7143
<b>SSU</b>	Supplier assigned classification	7143
<b>SSV</b>	Mexican classification system AMECE	7143
<b>SSW</b>	German classification system CCG	7143
<b>SSX</b>	Finnish classification system EANFIN	7143
<b>SSY</b>	Canadian classification system ICC	7143
<b>SSZ</b>	French classification system IFLS5	7143
<b>ST</b>	Style number	7143
<b>STA</b>	Dutch classification system CBL	7143

## Applicable codes

Code	Name/description	Code list
<b>STB</b>	Japanese classification system JICFS	7143
<b>STC</b>	European Union dairy subsidy eligibility classification	7143
<b>STD</b>	GS1 Spain classification system	7143
<b>STE</b>	GS1 Poland classification system	7143
<b>STF</b>	Federal Agency on Technical Regulating and Metrology of the Russian Federation	7143
<b>STG</b>	Efficient Consumer Response (ECR) Austria classification system	7143
<b>STH</b>	GS1 Italy classification system	7143
<b>STI</b>	CPV (Common Procurement Vocabulary)	7143
<b>STJ</b>	IFDA (International Foodservice Distributors Association)	7143
<b>STK</b>	AHFS (American Hospital Formulary Service) pharmacologic - therapeutic classification	7143
<b>STL</b>	ATC (Anatomical Therapeutic Chemical) classification system	7143
<b>STM</b>	CLADIMED (Classification des Dispositifs Médicaux)	7143
<b>STN</b>	CMDR (Canadian Medical Device Regulations) classification system	7143
<b>STO</b>	CNDM (Classificazione Nazionale dei Dispositivi Medici)	7143
<b>STP</b>	UK DM&D (Dictionary of Medicines & Devices) standard coding scheme	7143
<b>STQ</b>	eCI@ss	7143
<b>STR</b>	EDMA (European Diagnostic Manufacturers Association) Products Classification	7143
<b>STS</b>	EGAR (European Generic Article Register)	7143
<b>STT</b>	GMDN (Global Medical Devices Nomenclature)	7143
<b>STU</b>	GPI (Generic Product Identifier)	7143
<b>STV</b>	HCPCS (Healthcare Common Procedure Coding System)	7143
<b>STW</b>	ICPS (International Classification for Patient Safety)	7143
<b>STX</b>	MedDRA (Medical Dictionary for Regulatory Activities)	7143
<b>STY</b>	Medical Columbus	7143
<b>STZ</b>	NAPCS (North American Product Classification System)	7143
<b>SUA</b>	NHS (National Health Services) eClass	7143
<b>SUB</b>	US FDA (Food and Drug Administration) Product Code Classification Database	7143
<b>SUC</b>	SNOMED CT (Systematized Nomenclature of Medicine-Clinical Terms)	7143
<b>SUD</b>	UMDNS (Universal Medical Device Nomenclature System)	7143
<b>SUE</b>	GS1 Global Returnable Asset Identifier, non-serialised	7143
<b>SUF</b>	IMEI	7143
<b>SUG</b>	Waste Type (EMSA)	7143
<b>SUH</b>	Ship's store classification type	7143
<b>SUI</b>	Emergency fire code	7143
<b>SUJ</b>	Emergency spillage code	7143
<b>SUK</b>	IMDG packing group	7143
<b>SUL</b>	MARPOL Code IBC	7143
<b>SUM</b>	IMDG subsidiary risk class	7143
<b>TG</b>	Transport group number	7143
<b>TSN</b>	Taxonomic Serial Number	7143
<b>TSO</b>	IMDG main hazard class	7143
<b>TSP</b>	EU Combined Nomenclature	7143
<b>TSQ</b>	Therapeutic classification number	7143
<b>TSR</b>	European Waste Catalogue	7143
<b>TSS</b>	Price grouping code	7143
<b>TSU</b>	EU RoHS Directive	7143
<b>UA</b>	Ultimate customer's article number	7143
<b>UP</b>	UPC (Universal product code)	7143
<b>VN</b>	Vendor item number	7143
<b>VP</b>	Vendor's (seller's) part number	7143
<b>VS</b>	Vendor's supplemental item number	7143
<b>VX</b>	Vendor specification number	7143
<b>ZZZ</b>	Mutually defined	7143

**7405** Object identification code qualifier

## Applicable codes

Code	Name/description	Code list
<b>BN</b>	Serial number	7405
<b>ML</b>	Marking/label number	7405
<b>7511</b>	<b>Marking type code</b>	
Code	Name/description	Code list
<b>J</b>	Unique number of a transport handling unit	JAI019
<b>8393</b>	<b>Returnable package load contents code</b>	
Code	Name/description	Code list
<b>11</b>	Empty container, folded	8393